

★ **YODER SMOKERS** ★

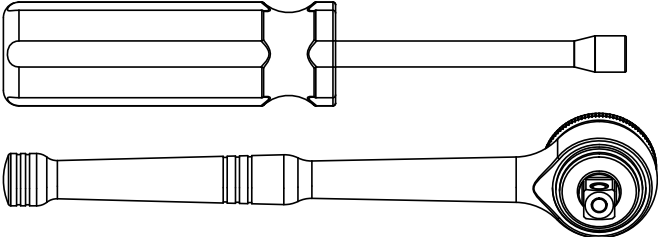
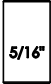

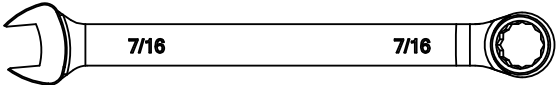
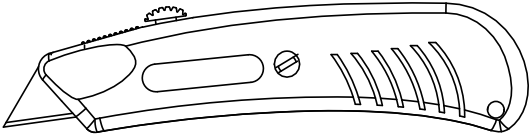
ASSEMBLY INSTRUCTIONS

YS480_S YS640_S



 **MADE**[™]
HANDCRAFTED IN THE USA ★ **YS** ★

RECOMMENDED TOOLS

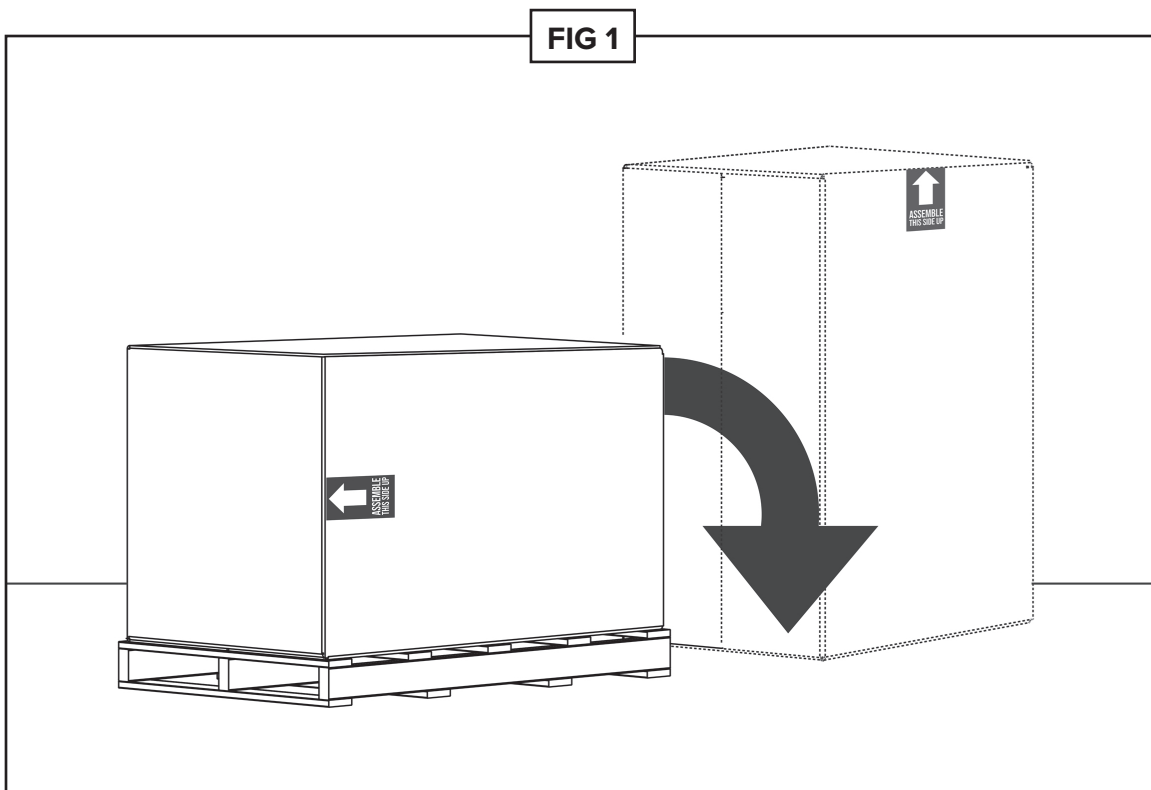
<p>NUT DRIVERS OR SOCKET WRENCH</p>	
<p>5/16" SOCKET</p>	
<p>3/8" SOCKET</p>	
<p>7/16" WRENCH</p>	
<p>BOX CUTTER OR UTILITY KNIFE</p>	

STEP #1

Place pallet on a flat, level surface. Cut and discard banding. With the help of another person, tilt box on end so arrows on the box point up. **(FIG 1)** Remove pallet from assembly area.

CAUTION!

BOX MAY WEIGH 350 LBS DEPENDING ON MODEL.

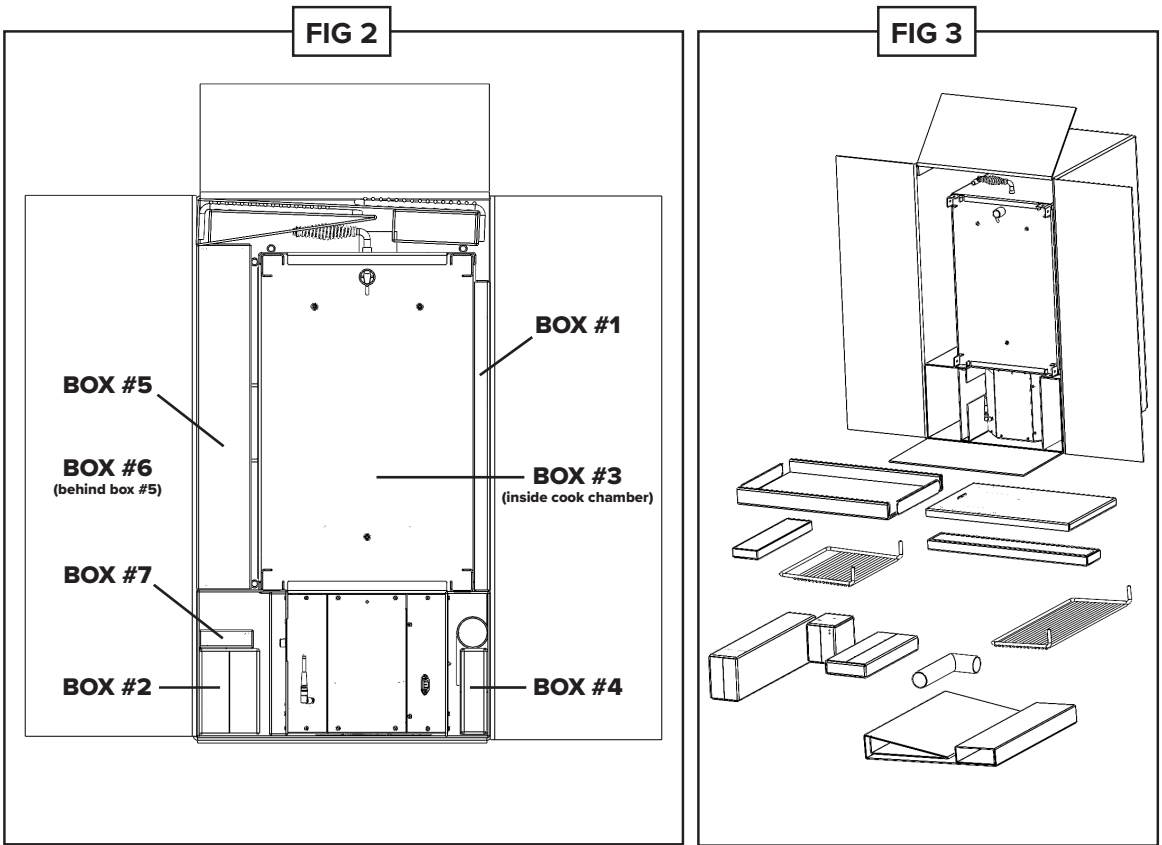


STEP #2

Carefully open box by cutting tape and opening the flaps. Locate and remove assembly instructions from envelope marked "Instructions Enclosed." Read instructions thoroughly before continuing assembly. Remove boxes and materials as shown. (FIG 2)

LEAVE MAIN BOX AND INDICATED PACKAGING INTACT AROUND SMOKE CHAMBER!

Removal will decrease stability during assembly, and may cause the unit to fall over. (FIG 3)

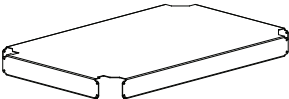

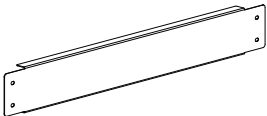


STEP #3

Locate and open boxes 5, 6, and 7.

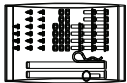




Gather parts **B** (Bottom Shelf - Qty. 1), **G** (Yoder Logo Skirt – Qty. 2), and **H** (Long Skirt – Qty. 2).

Set remaining pieces aside. The Operations Manual will instruct you where to use the unlabeled parts.

PART ID	DESCRIPTION	ILLUSTRATION	QTY
B	90093 BOTTOM SHELF (YS480)		1
	90172 BOTTOM SHELF (YS640)		
G	90165 YODER LOGO SKIRT		2
H	90092 LONG SKIRT (YS480)		2
	90166 LONG SKIRT (YS640)		

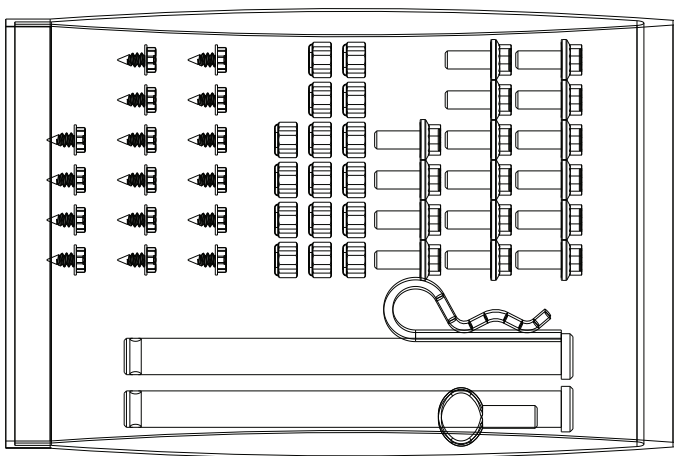
Locate and open box 2.

Gather parts **A** (Hardware Package - Qty. 1), **C** (Leg – Qty. 1), **D** (Leg – Qty. 1), **E** (Caster Leg – Qty. 2), and **F** (Wheel – Qty. 2).

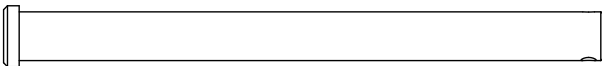
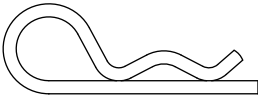
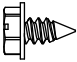
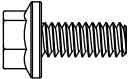
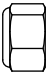
PART ID	DESCRIPTION	ILLUSTRATION	QTY
A	A91842 HARDWARE PACKAGE		1
C	W90783 LEG		1
D	W90785 LEG		1
E	A91726 CASTER LEG		2
F	24252 WHEEL		2

Parts Required:

Part A - Hardware Bag

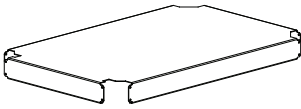


Locate part A and empty contents of bag. Carefully sort and confirm all pieces below are accounted for.

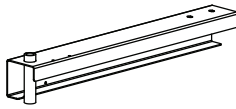
HARDWARE LIST	
A1 90398 AXLE PIN - QTY: 2	
A2 701-212-02 COTTER PIN - QTY: 2	
A3 1016X38HHSMS SHEET METAL SCREW - QTY: 16	
A4 1420X58WHB WHIZ BOLT - QTY: 16	
A5 1420LNN HEX NUT - QTY: 16	

STEP #5

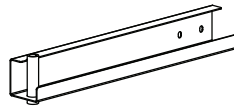
PARTS REQUIRED:



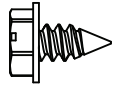
Part B - Qty 1



Part C - Qty 1



Part D - Qty 1



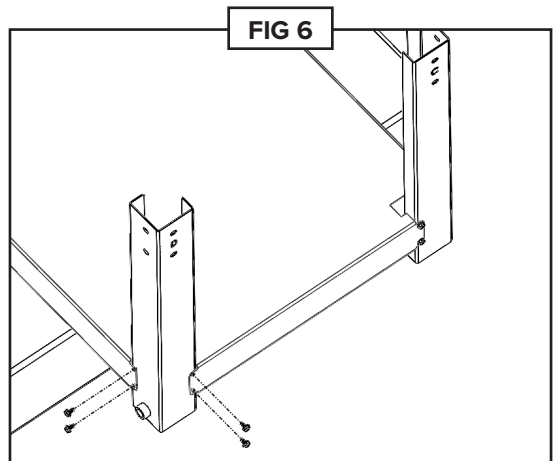
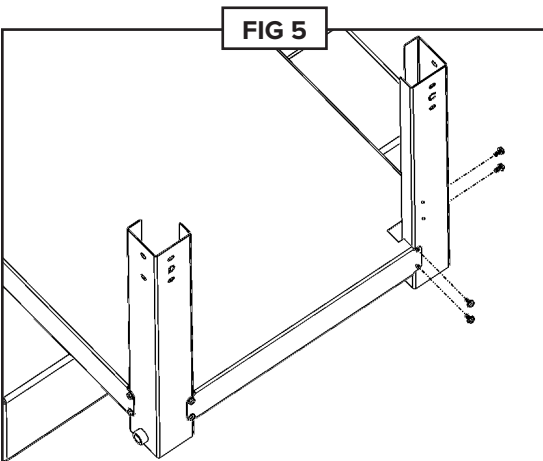
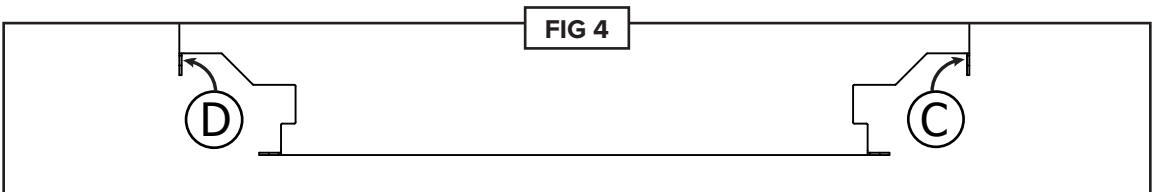
Part A3 - Qty 8

Locate part B. Orient the part with the notched cutouts toward you. These cutouts will be labeled **C** or **D** just inside the slot. These labels will match the Part ID of the leg that will be installed in that cutout. **(FIG 4)**

Lay box 2 flat on the ground. Position part **B** cross-ways on top of box 2 as shown with the notched cutouts toward you. Orient part with the **B** decal facing down. **Locate part C.** Carefully slide part downward through the indicated slot in part **B** until the holes align.

Using a 5/16" nut driver or socket wrench, attach part **C** to part **B** with four A3 screws. Use caution to not over-tighten the screws! The screws are tight when the head of the screw is flush with the sheet metal. **(FIG 5)**

Locate part D. Carefully slide part downward through the indicated slot in part **B** until the holes align. Using a 5/16" nut driver or socket wrench, attach part **D** to part **B** with four A3 screws. Use caution to not over-tighten the screws! The screws are tight when the head of the screw is flush with the sheet metal. **(FIG 6)**



STEP #6

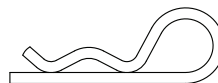
PARTS REQUIRED:



Part F - Qty 2



Part A1 - Qty 2

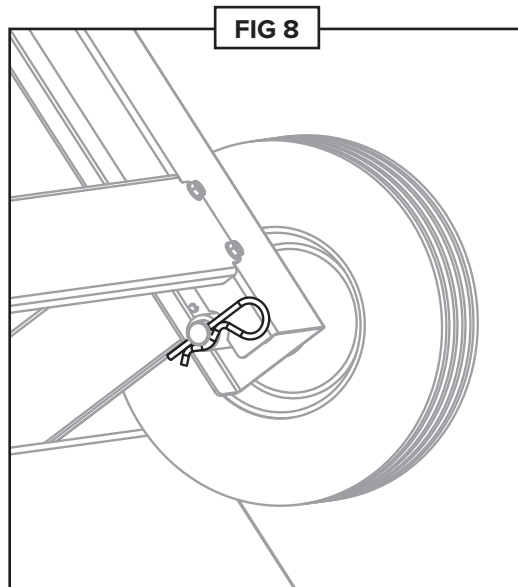
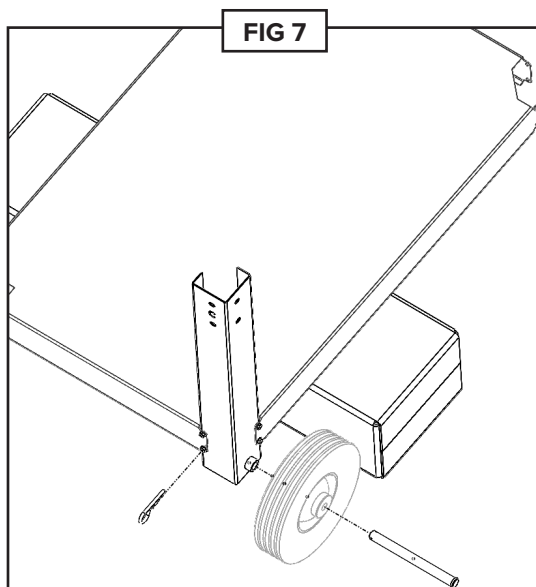


Part A2 - Qty 2

Attach one part **F** to part **C** using one A1, and one A2. Insert A1 through part F, and then through the tube in part **C** until it stops. (**FIG 7**)

Install part A2 in the small hole at the end of A1. (**FIG 8**)

Repeat Step #6 to attach wheel to leg **D**.

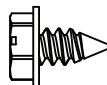


STEP #7

PARTS REQUIRED:



Part E - Qty 2

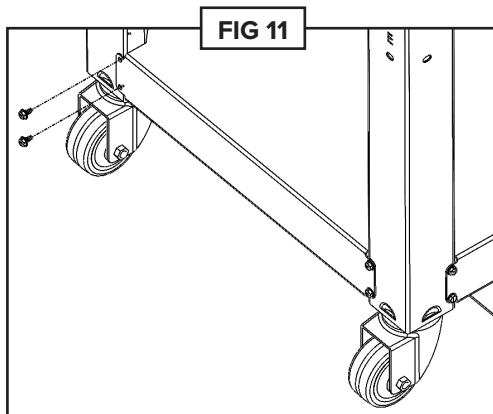
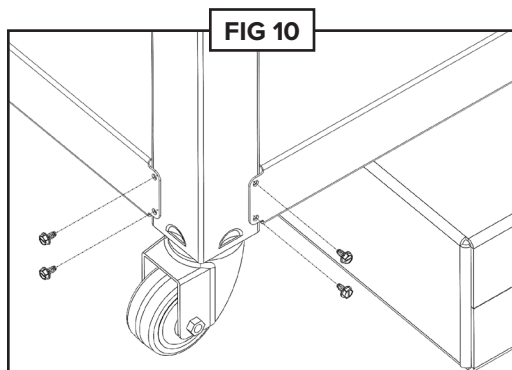
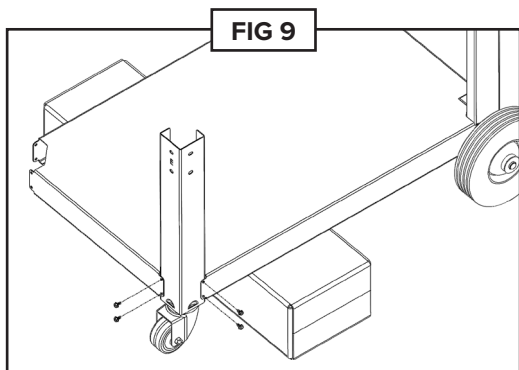


Part A3 - Qty 8

Locate one part E. Slide part downward through one of the open slots in part B until the holes align. (FIG 9)

Using a 5/16" nut driver or socket wrench, attach part E to part B using four A3 screws. **CAUTION: Do not overtighten screws!** The screws are tight when the head of the screw is flush with the sheet metal. (FIG 10)

Repeat Step #7 to attach remaining leg to stand assembly. (FIG 11)

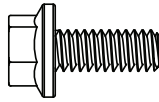


STEP #8

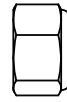
PARTS REQUIRED:



Part G - Qty 2



Part A4 - Qty 4



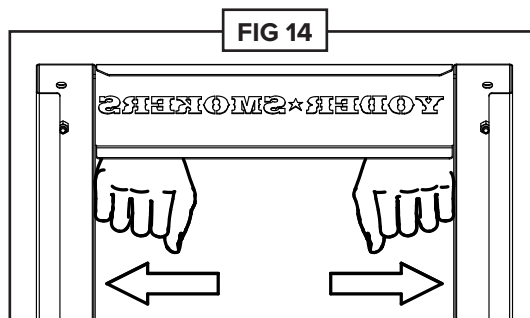
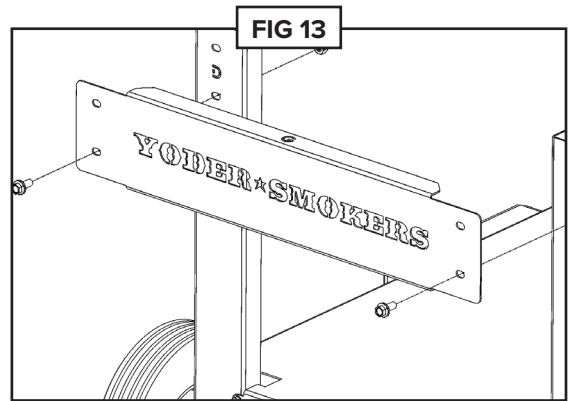
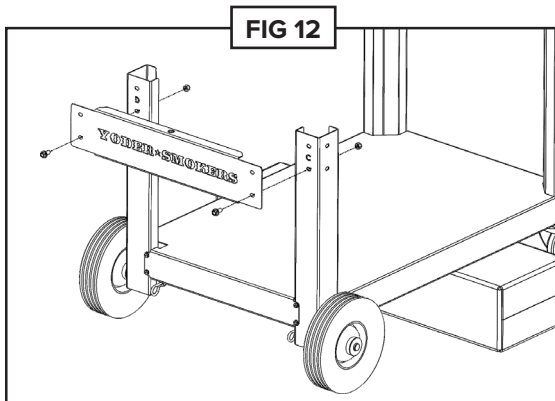
Part A5 - Qty 4

Using two of each A4 & A5, attach one part **G** to the stand assembly using only the bottom holes in stand assembly. Install part **G** with diagonal corners on top, as shown below. Hand-tighten the nuts for now.

(FIG 12/ FIG 13)

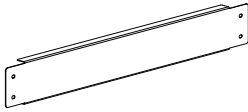
Repeat Step #8 to attach second part **G** to stand assembly.

****Note:** It may be necessary to lightly “bump” the tops of the legs outwards as shown below in order to align the holes. **(FIG 14)**

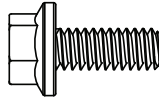


STEP #9

PARTS REQUIRED:



Part H - Qty 2



Part A4 - Qty 4

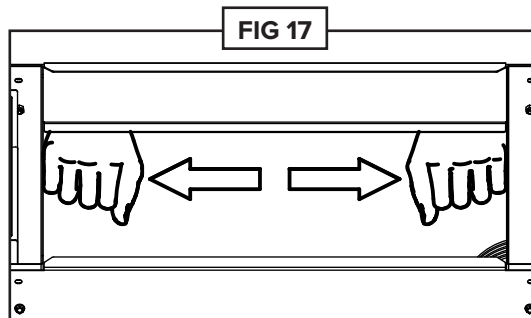
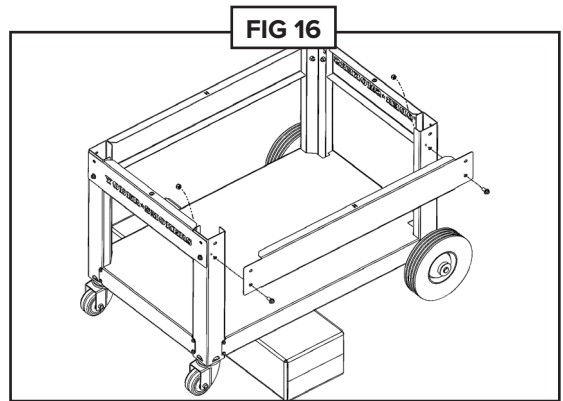
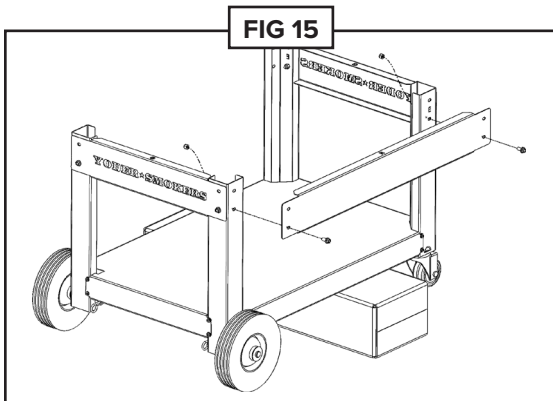


Part A5 - Qty 4

Using two of each A4 & A5, attach one part **H** to the stand assembly using only the bottom holes in stand assembly as shown. Install part **H** with diagonal corners on top, as shown below. Hand-tighten the nuts for now. **(FIG 15/ FIG 16)**

Repeat Step #9 to attach second part **H** to stand assembly.

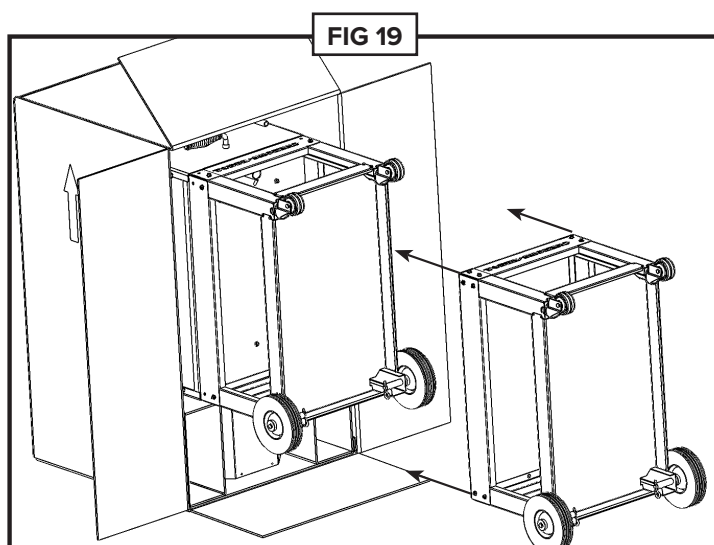
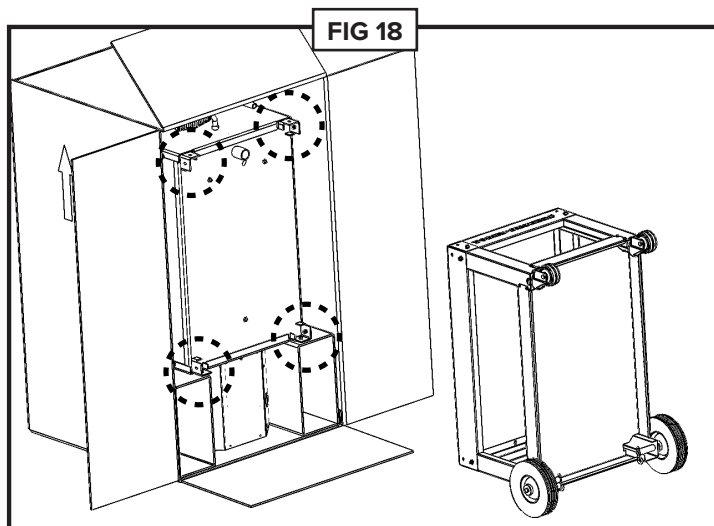
****Note:** It may be necessary to lightly “bump” the tops of the legs outwards as shown below in order to align the holes. **(FIG 17)**



STEP #10

Locate leg receiving brackets on the bottom of the Pellet Cooker. (FIG 18)

Pick up stand assembly (large wheels should be down), and carefully guide stand onto chamber legs. (FIG 19)

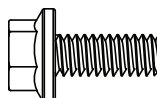


STEP #11

PARTS REQUIRED:



Part A5 - Qty 8

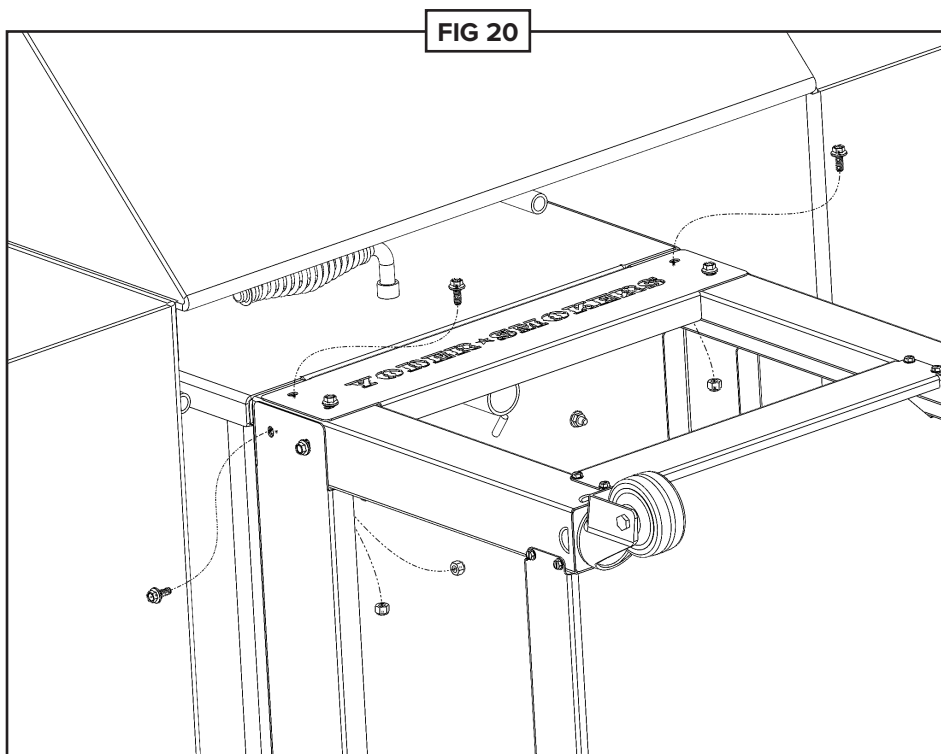


Part A4 - Qty 8

Using two of each A4 & A5, attach stand assembly to the chamber assembly leg through the top holes in the stand assembly, as shown. Hand-tighten the nuts for now. **(FIG 20)**

Using the remaining six A4 & A5 fasteners, repeat process for the remaining three legs of the stand/chamber assembly.

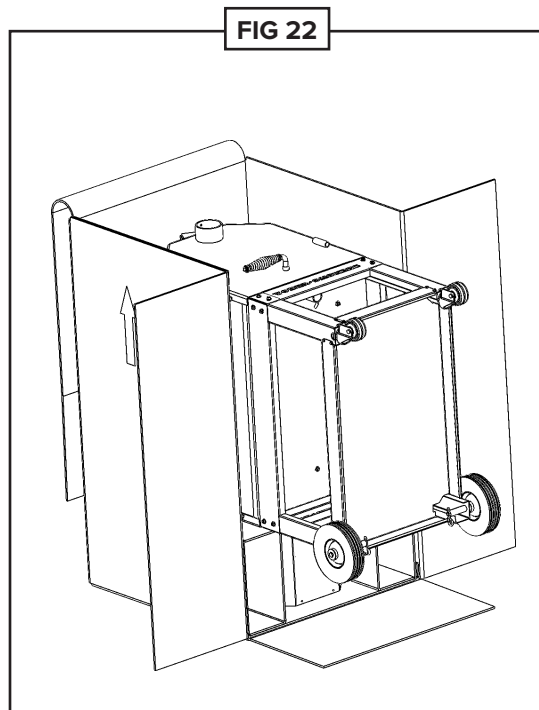
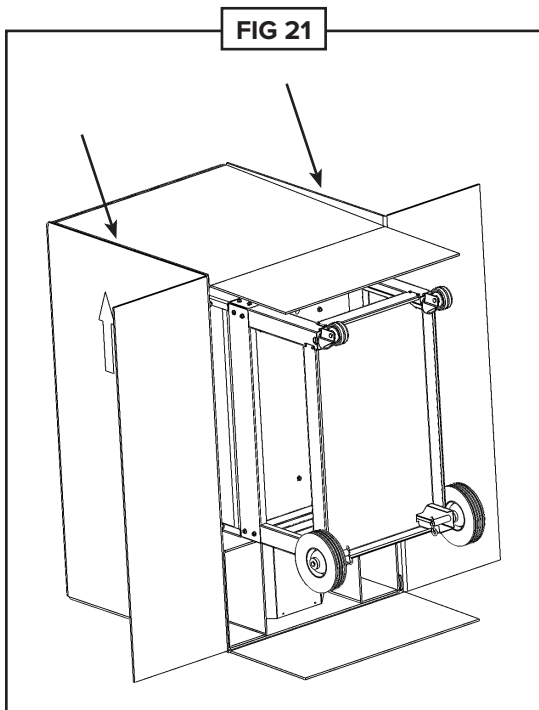
Once all of the fasteners are installed and tightened by hand, securely tighten all sixteen fasteners using a 3/8" nut driver or socket wrench, and a 7/16" wrench.



STEP #12

Confirm that the stand is fully assembled and all fasteners are tightened. Using a box cutter or utility knife, CAREFULLY cut along top edges of box (dashed lines) as shown. **(FIG 21)**

Once both cuts are made, fold the flap over the end of the box. **(FIG 22)**



STEP #13

With the help of another person, carefully tilt the assembled cooker out of the box until the large wheels make contact with the ground. Secure both large wheels from rolling before continuing. (FIG 23)

Once the wheels are secured from rolling, continue to tilt cooker out of the box and upright. (FIG 24)

USE CAUTION!

UNIT MAY WEIGH 350 LBS DEPENDING ON MODEL

FIG 23

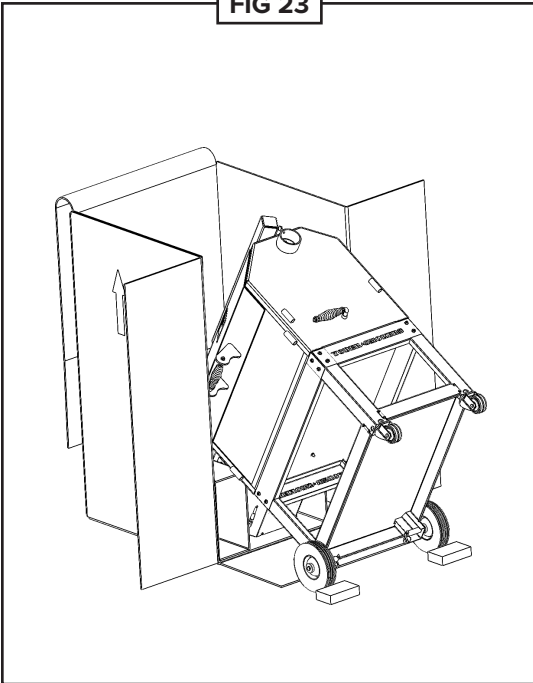
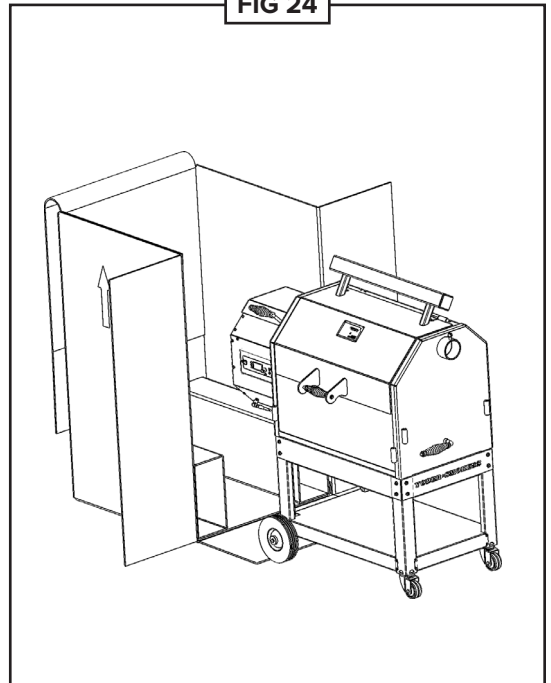


FIG 24



GET READY TO COOK!

Locate box #3 inside the Cooking Chamber. Read through your Operations Manual (located in box #3) for final assembly and initial start-up instructions. The Operations Manual will provide instruction on how to install or use all of the remaining parts. Make sure all parts are accounted for before discarding boxing / packaging materials.



FOR PRODUCT SUPPORT:
877.409.6337 (Ext. 2)
customerservice@yodersmokers.com

WWW.YODERSMOKERS.COM

