

YODER ★ SMOKERS

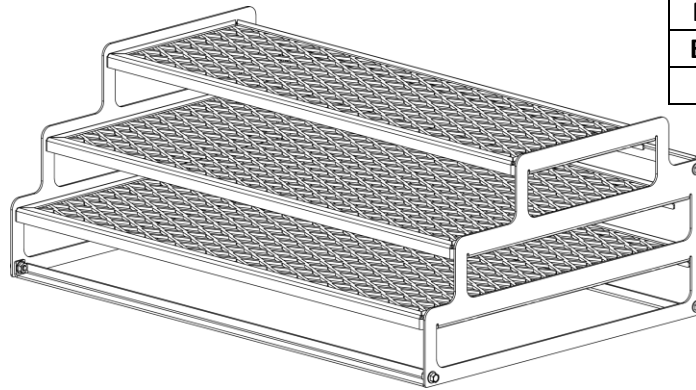
COMPETITION GRADE BBQ PRODUCTS

THREE SHELF ACCESSORY RACK

Parts Included:

| Description | Quantity |
|-------------------|----------|
| Top Shelf | 1 |
| Middle Shelf | 1 |
| Bottom Shelf | 1 |
| LH Side Plate | 1 |
| RH Side Plate | 1 |
| Spreader Bar | 3 |
| ¼ Hex Flange Nut | 6 |
| ¼ Hex Flange Bolt | 6 |

| Cooking Area per Shelf (Sq. In) | | |
|---------------------------------|------------|-------------|
| | YS480 | YS640 |
| Top | 162 | 230 |
| Middle | 274 | 391 |
| Bottom | 330 | 471 |
| Total | 766 | 1093 |



Tools Needed:

3/8" wrench
7/16" wrench

Assembly Instructions:

1. Identify the LH and RH side plates, (shelf supports will extend toward the center).
2. Orient the spreader bar flanges as shown. (Figure 1)
3. Loosely attach each spreader bar between the side plates using ¼" Hex Flange Nuts and ¼" Hex Flange Bolts. (Figure 2)
4. Tighten all fasteners.
5. Place the accessory rack frame directly on the standard chrome cooking grates in the smoker.
6. Slide the three shelves onto the shelf supports.
7. Periodically check the fasteners for tightness.

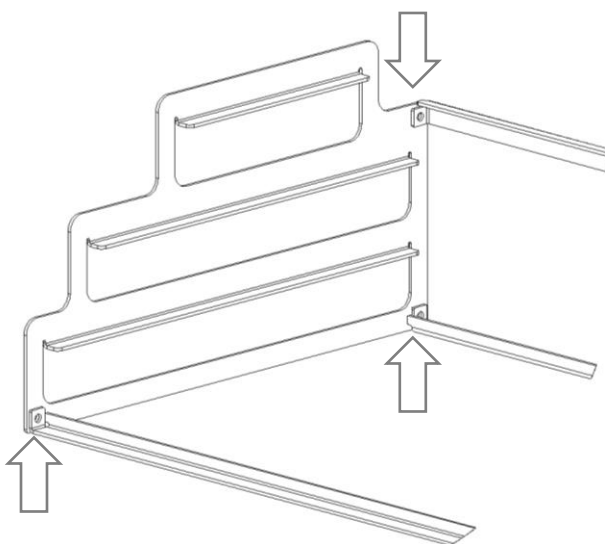


Figure 1

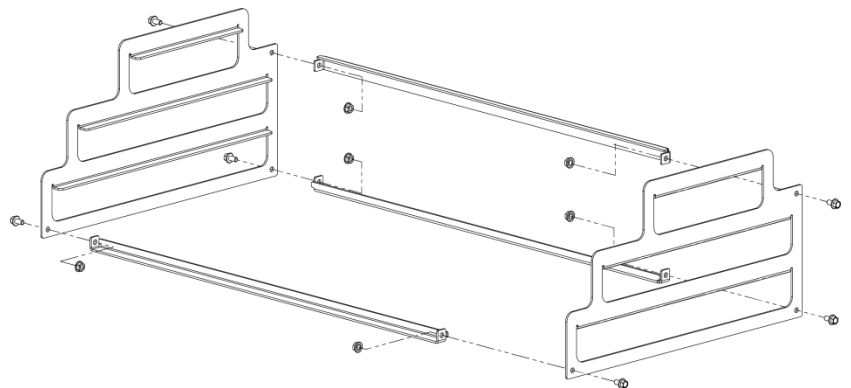


Figure 2