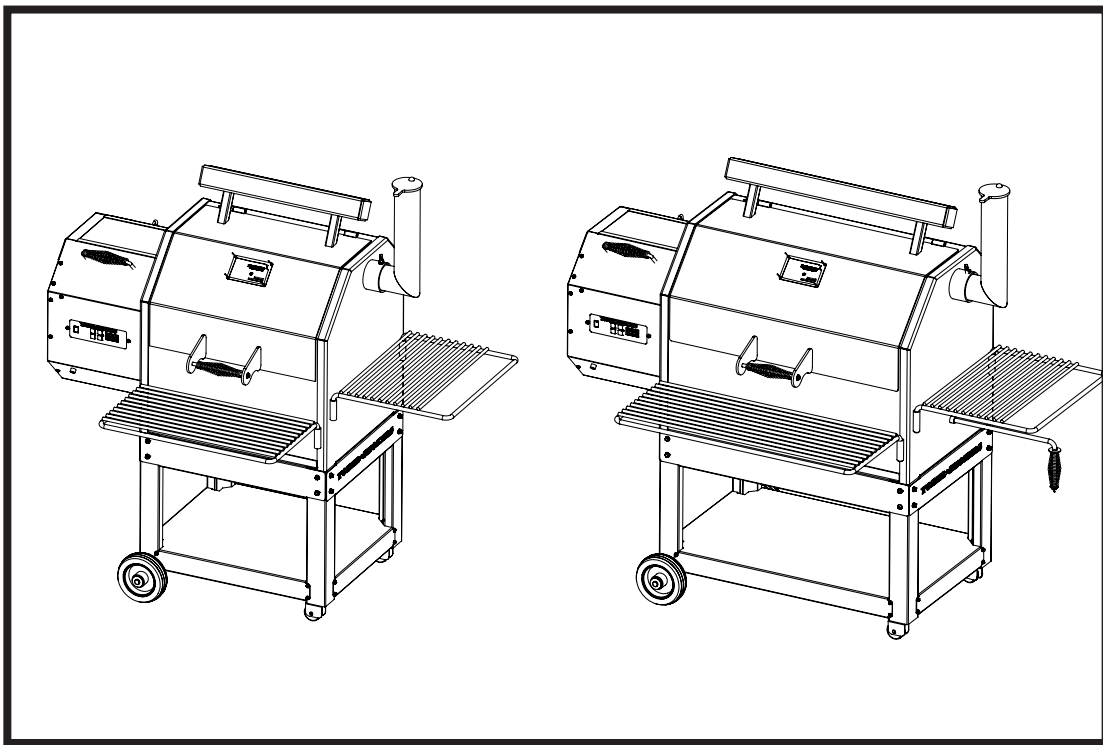




PROCEDURE FOR REPLACING THE IGNITER A90494

MODEL 480, MODEL 640, Pellet Smokers



Procedure for Replacing the Igniter:

! CAUTION: BEFORE BEGINNING THIS PROCEDURE, INSURE THAT THE POWER CORD TO THE SMOKER IS DISCONNECTED! FAILURE TO DO SO MAY RESULT IN BODILY INJURY.

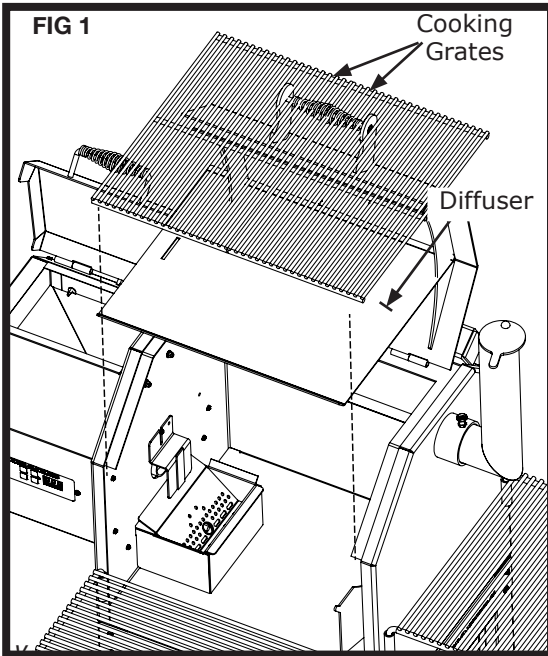
TOOLS REQUIRED

1. 1/8" Allen Wrench

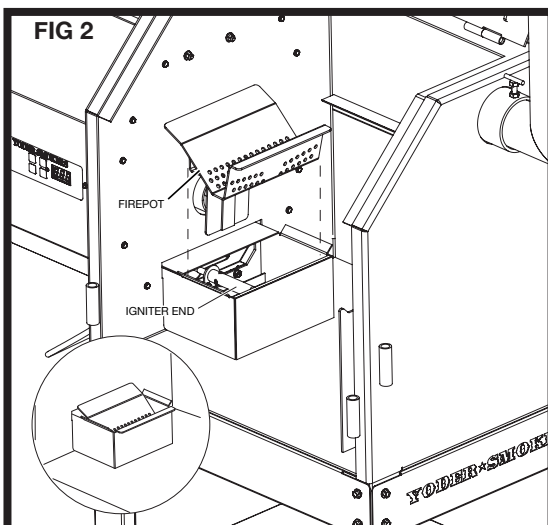
PARTS REQUIRED

2. A90494 - Igniter

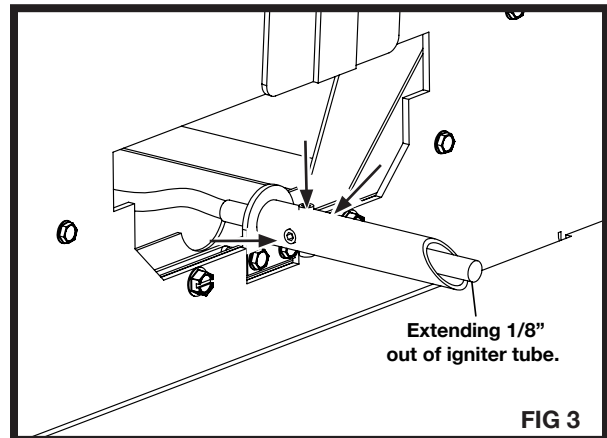
1. Remove cooking grates and diffuser. See FIG 1.



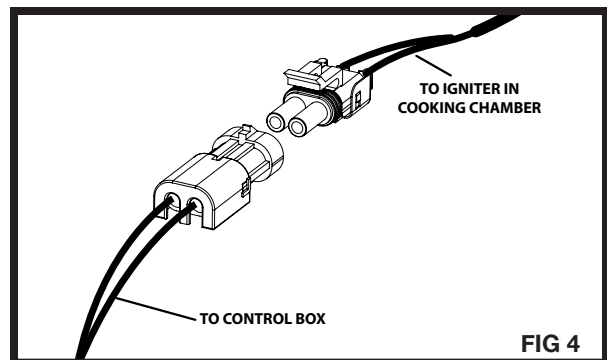
2. Remove the fire pot. See FIG 2.



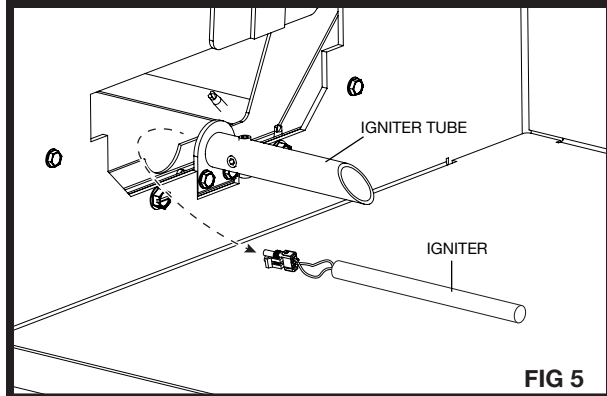
3. Using a 1/8" allen wrench, loosen the set screws that hold the igniter in place. **NOTE: DO NOT REMOVE THE METAL HOUSING AROUND THE IGNITER.**



4. Pull the wires out of the opening to the hopper to expose the weather-tite electrical fitting. Pull apart the weather-tite electrical fitting for the igniter. FIG 4.



5. Gently pull on the igniter cable wire assembly to remove the igniter from the igniter tube.



6. Feed the new igniter into the igniter tube.
7. Tighten set screws with allen wrench once igniter is extending approximately 1/8" from the igniter tube. See **FIG 3**.
8. Attach igniter cable at weather-tite fitting. See **FIG 4**. Tuck the wire back inside the hopper away from fire pot.
9. Reassemble firepot, heat diffuser plate (if used) and cooking grates. See **FIG 1 and 2**.
10. Start up the pit. Ignition should start within 4 minutes.

END OF PRODEDURE