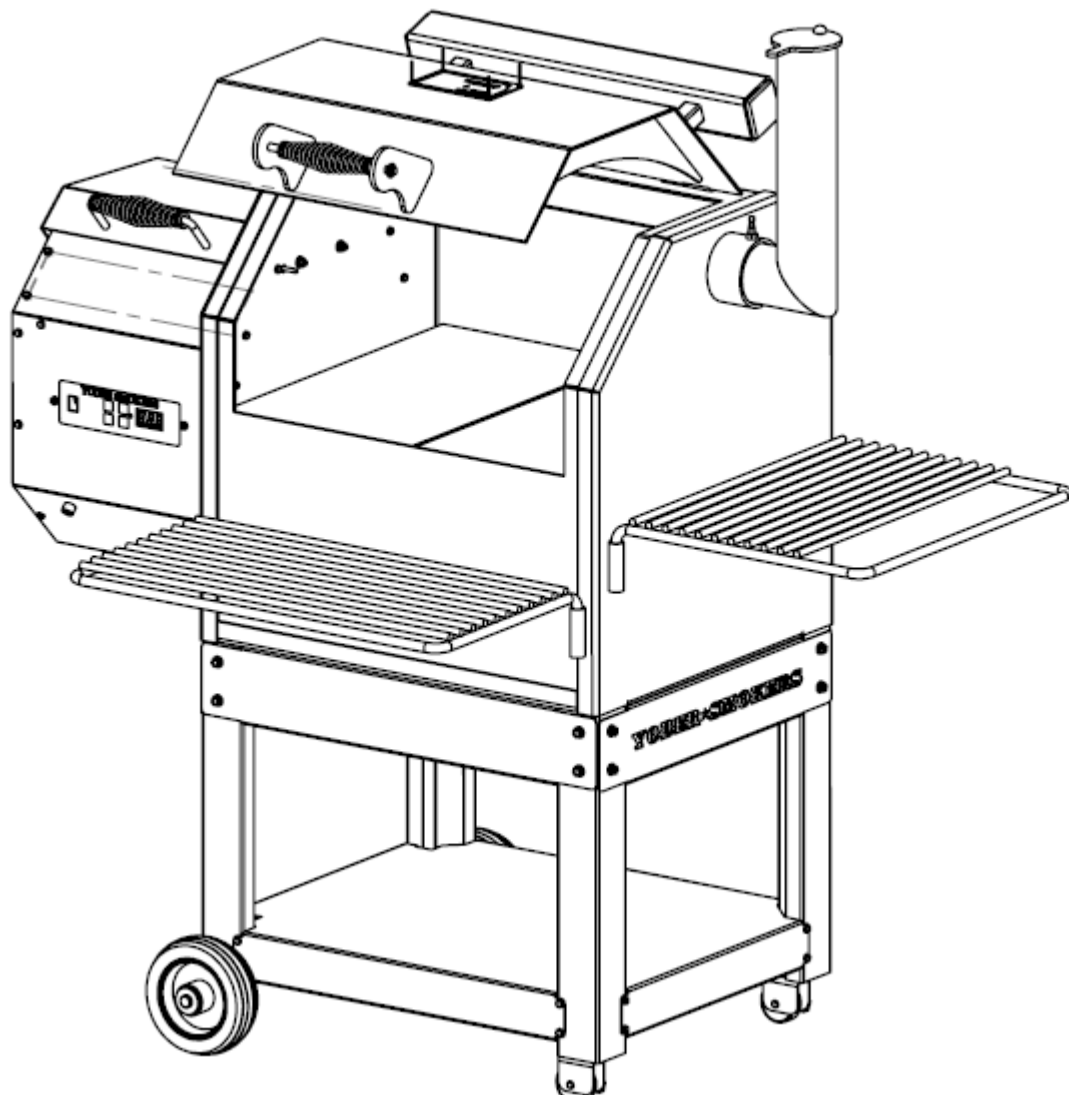
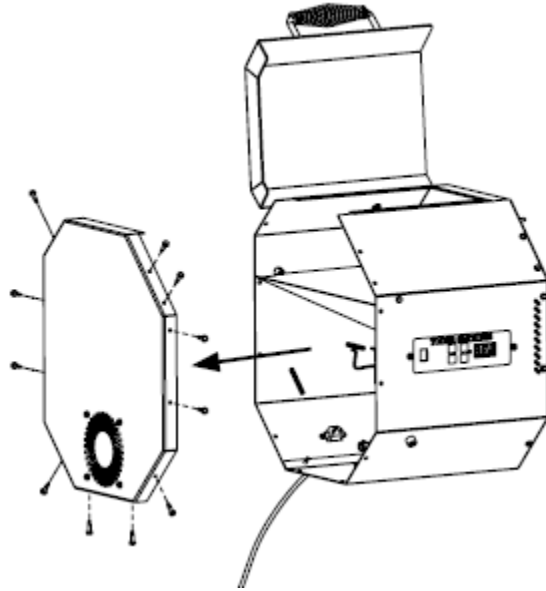


YODER ★ SMOKERS

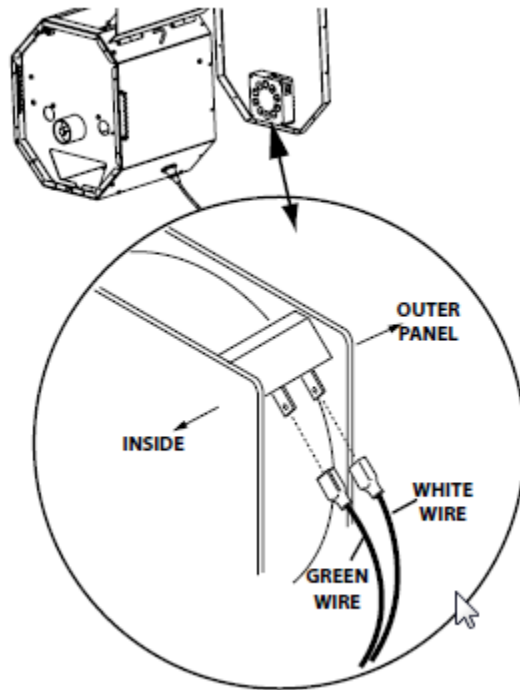
PROCEDURE FOR INSTALLING VELCRO TO INNER FAN HOUSING



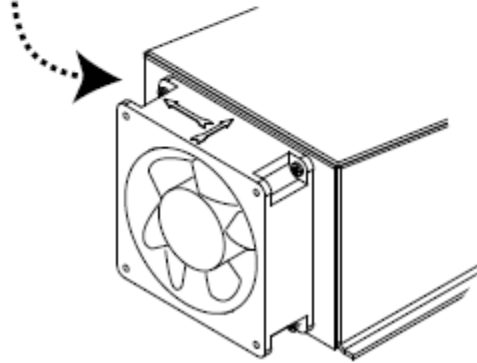
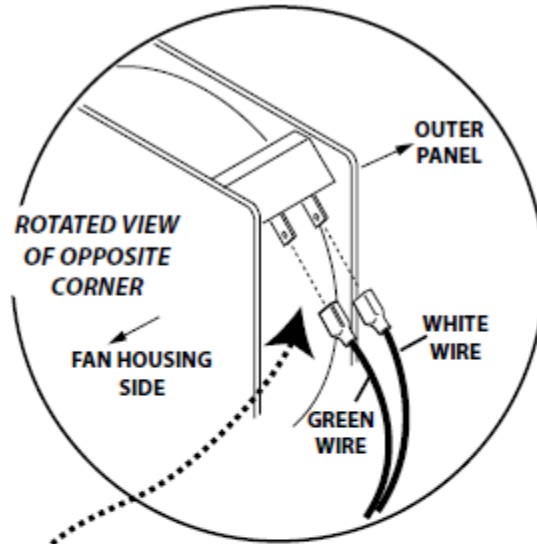
1. Remove eleven screws securing the hopper end (fan) panel, then pull out the panel.



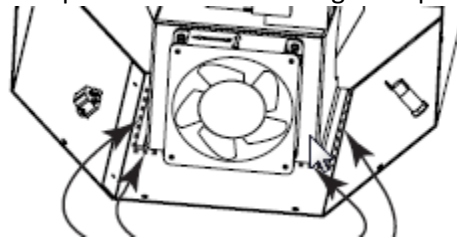
2. Disconnect two wires (one green, one white) from the fan.



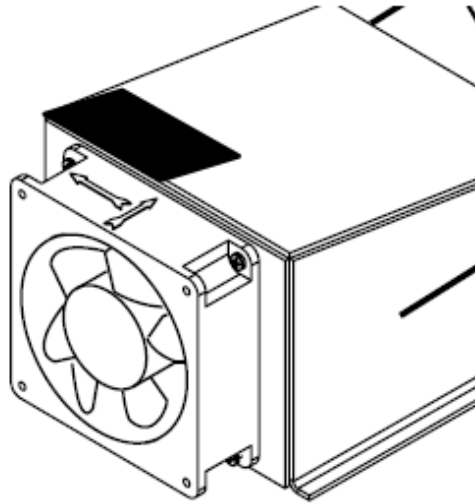
3. Remove the green and white wire from the inner fan.



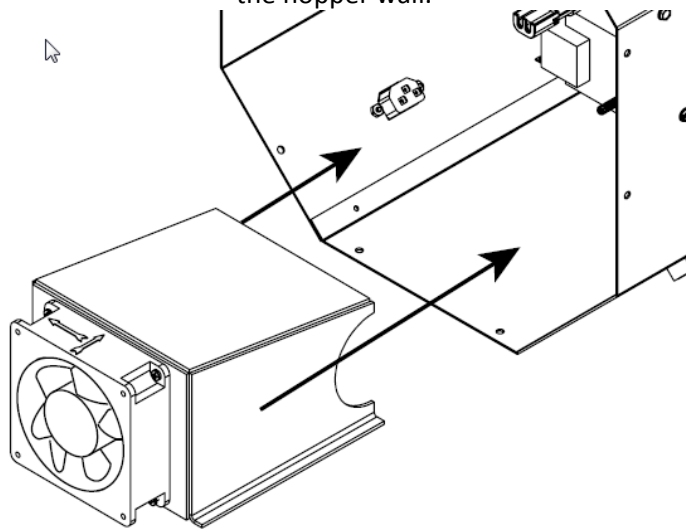
4. Remove the silicone using a flat screwdriver or putty knife. This will allow you to pull out the fan housing to inspect for the Velcro.



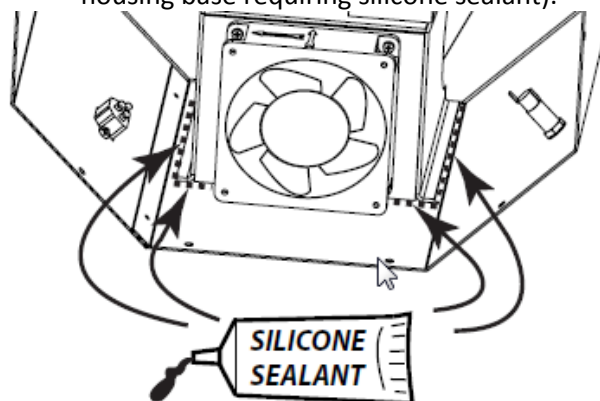
5. This image shows the location of the Velcro on the fan housing. Using the Velcro that we provided, install it according to this illustration.



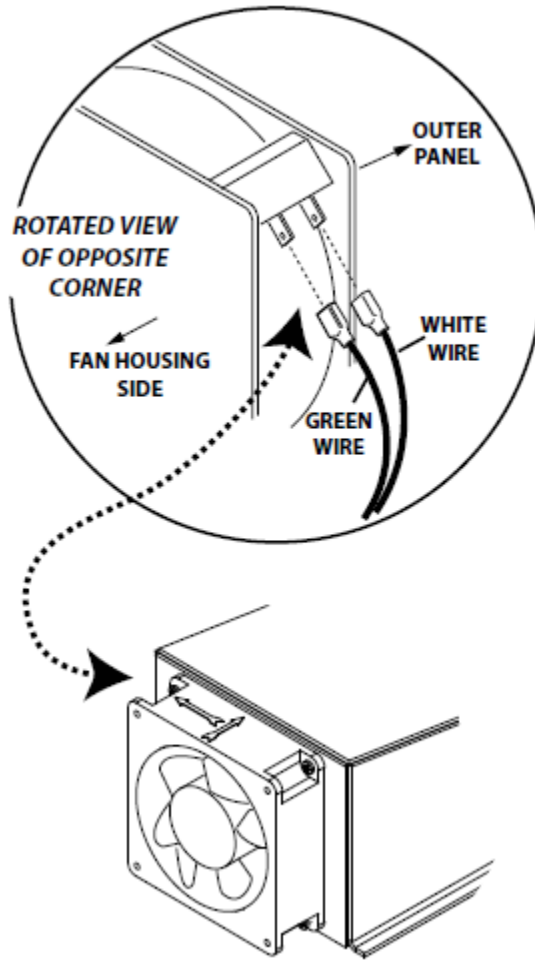
6. Reinstall the fan housing making sure that it is pressed against the hopper wall.



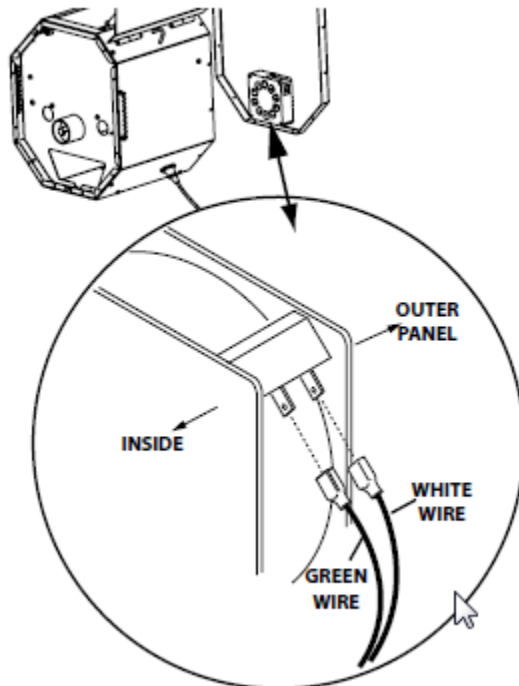
7. With fan assembly positioned in place, use silicone sealant to secure the fan housing to the floor of the hopper. (in illustration below, arrows indicate the areas around the housing base requiring silicone sealant).



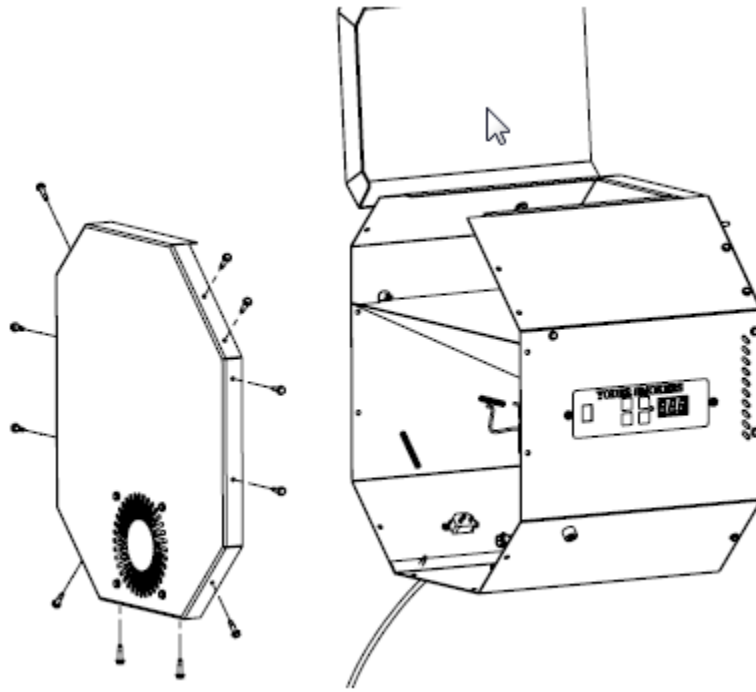
8. Reconnect wiring spade terminals to the fan



9. Reconnect the green and white wire to the outer fan.



10. Reinstall hopper end panel using 11 screws previously removed.



End of Procedure