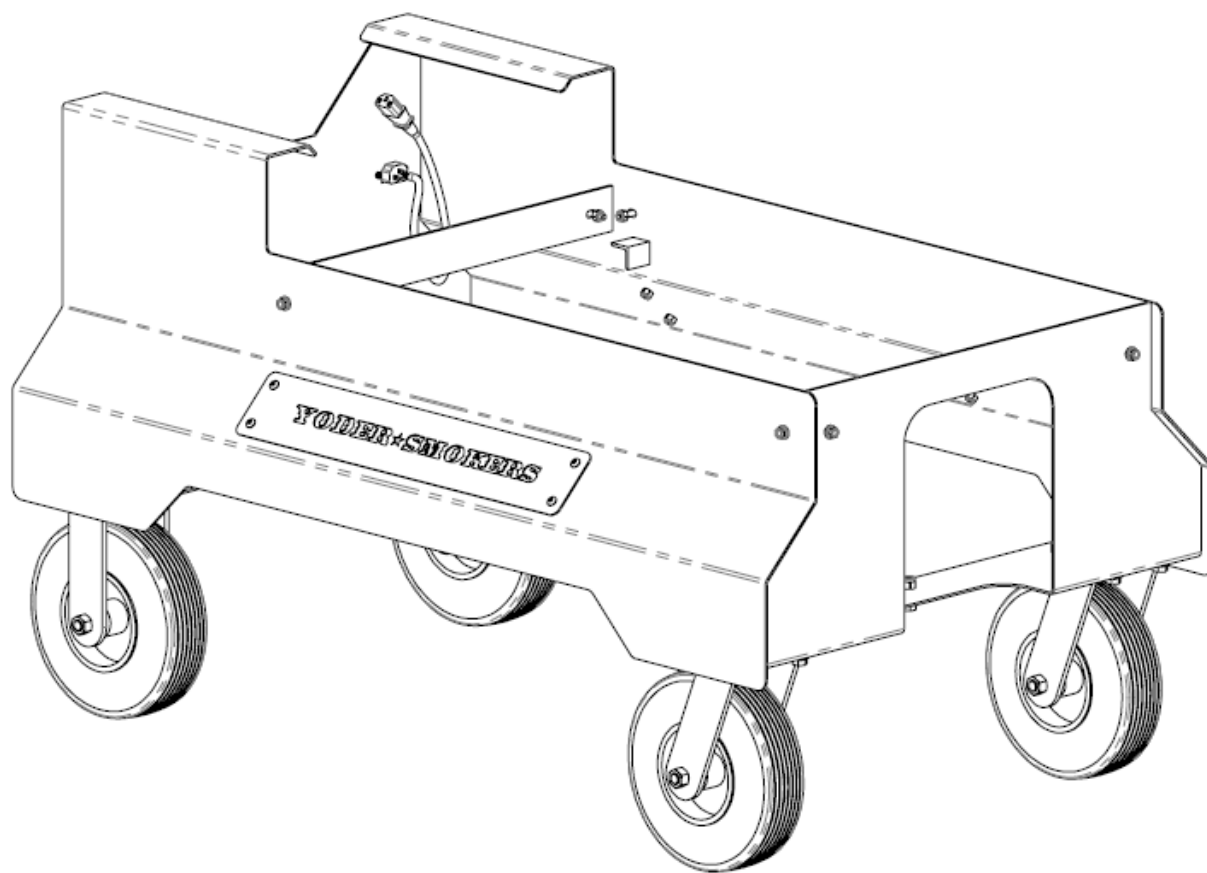


# ★ **YODER SMOKERS** ★

COMPETITION GRADE BBQ PRODUCTS

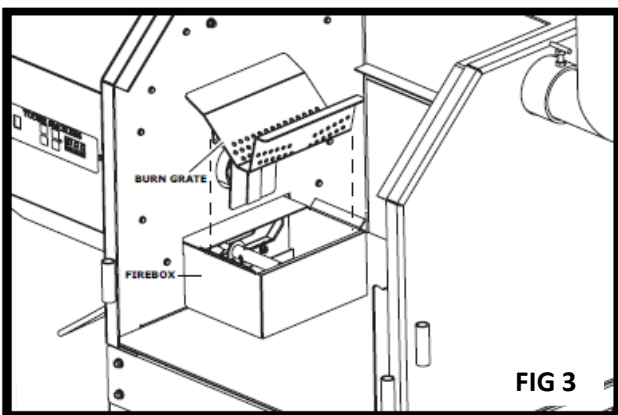
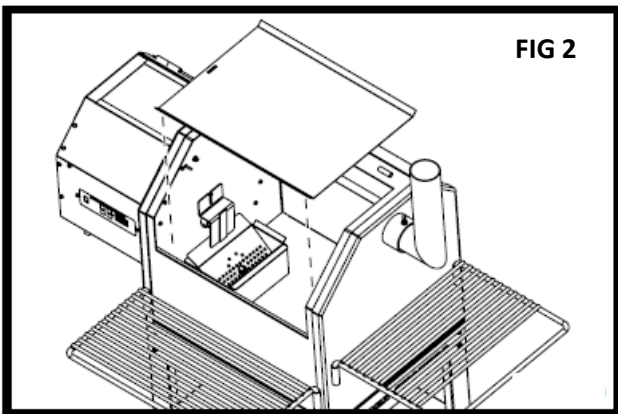
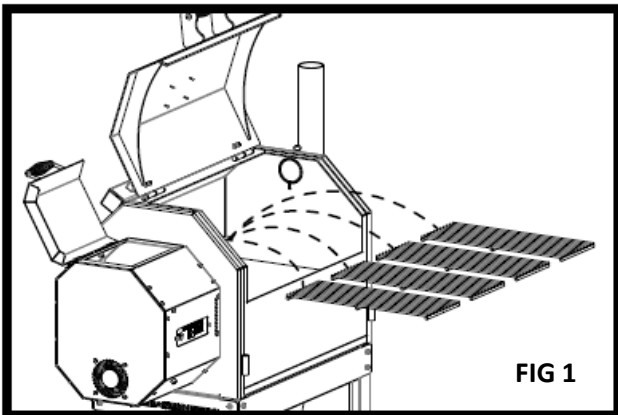
## Instructions for installing a YS480/YS640 competition cart



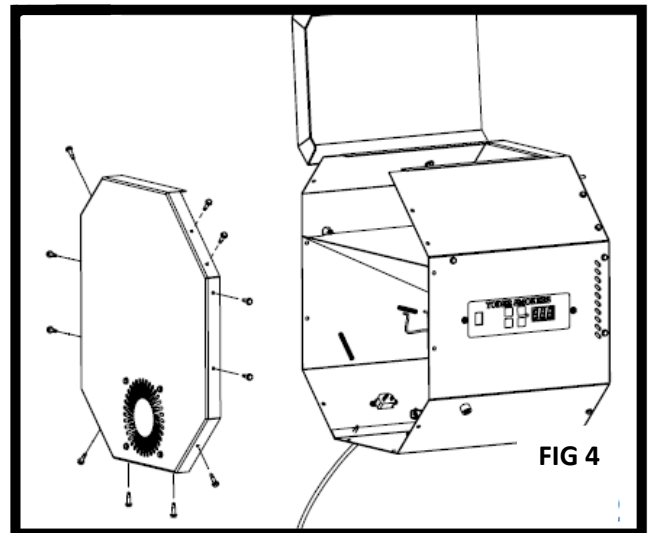
## Tools Needed

1. 5/16" socket
2. 7/16" wrench
3. 3/8" socket
4. Ratchet
5. 1/2" drill bit
6. 1/4" drill bit

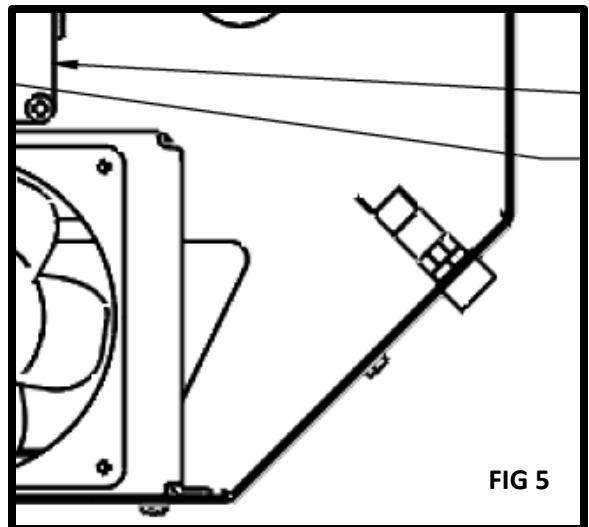
1. Remove the cooking grates, diffuser plate and burn grate.



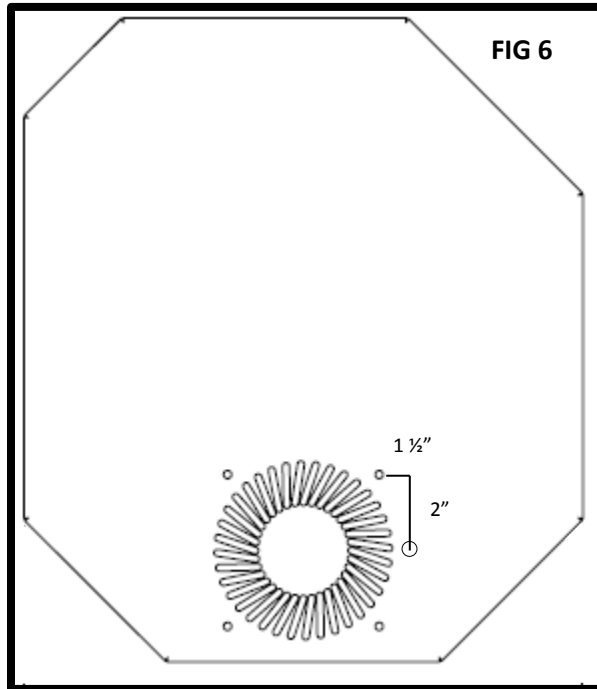
2. Using a 5/16" socket, remove the 11 screws securing the end panel to the hopper assembly. Disconnect the green and white wire from the outer fan.



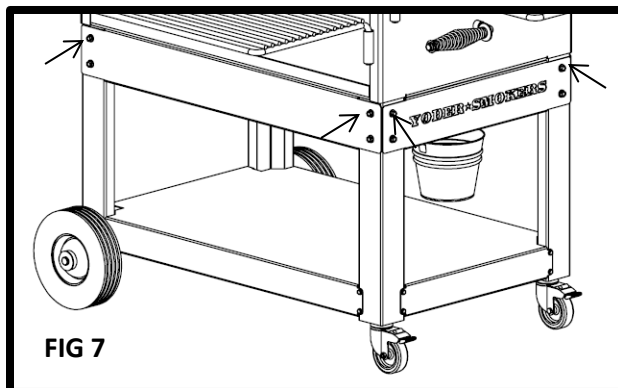
3. Disconnect the two purple wires to the fuse holder. Then remove the nut from the fuse holder.



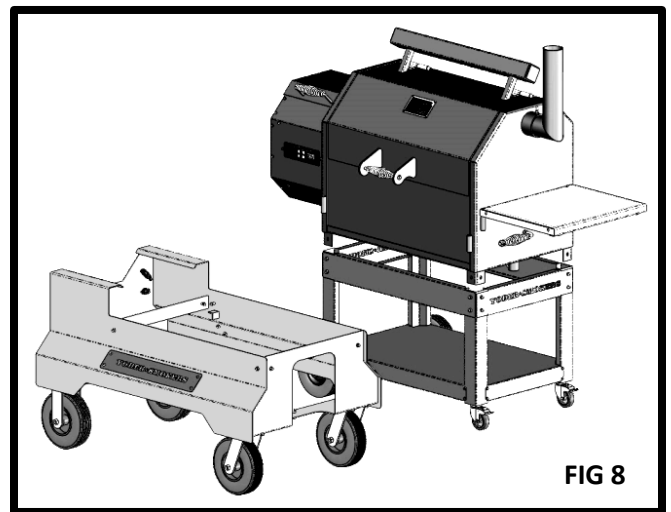
- Next, mark the location to relocate the fuse holder. (See **FIG 6**) Use a  $\frac{1}{4}$ " bit to make the starter hole. Then use a  $\frac{1}{2}$ " bit to drill the hole for the fuse holder.



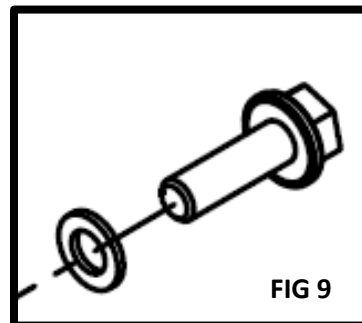
- Install the fuse holder through the hole and use the nut to secure it to the panel. Then attach the two purple wires to the fuse holder. Attach the green and white wires to the outer fan and install the end panel with the same screws removed in step 2, using the  $\frac{5}{16}$ " socket.
- Use a  $\frac{3}{8}$ " socket and  $\frac{7}{16}$ " wrench to remove the top 8 bolts from the cart.



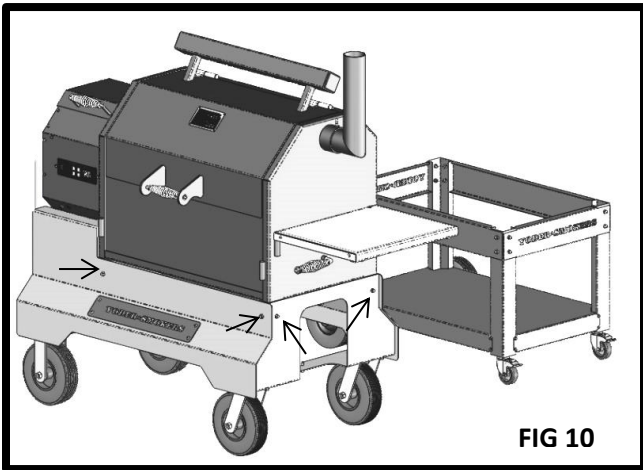
- Note: This next step will require at least 2 people to complete.** Place the comp cart next to the grill making sure that the hopper ends of each cart are aligned.
- One person will lift the chamber from the cart using the wire side shelf. The other person will lift the chamber from the hopper end by placing your hands on the inside edge of the end panel. Once lifted, carefully side step to the comp cart, line up the chamber to the cart and lower the chamber into position.



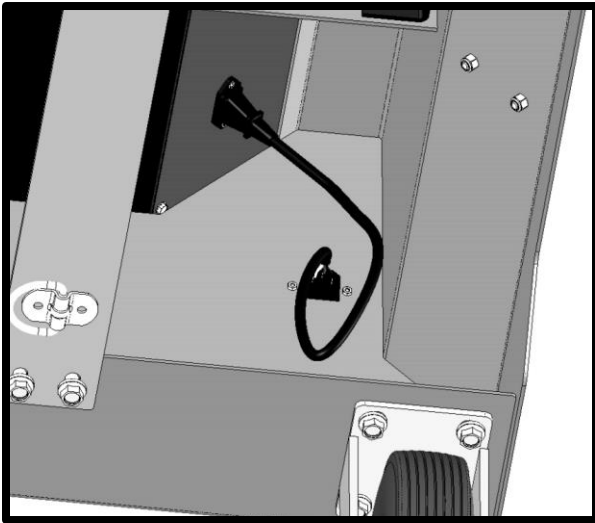
- Use the supplied phenolic washer and place one on each of the six of the bolts supplied with the cart.



10. Insert the bolts into the 6 holes located on the outside of the cart and secure them on the inside with the lock nuts using the 3/8" socket and 7/16" wrench.



11. Plug in the power cord extension into the hopper.



**End of procedure**