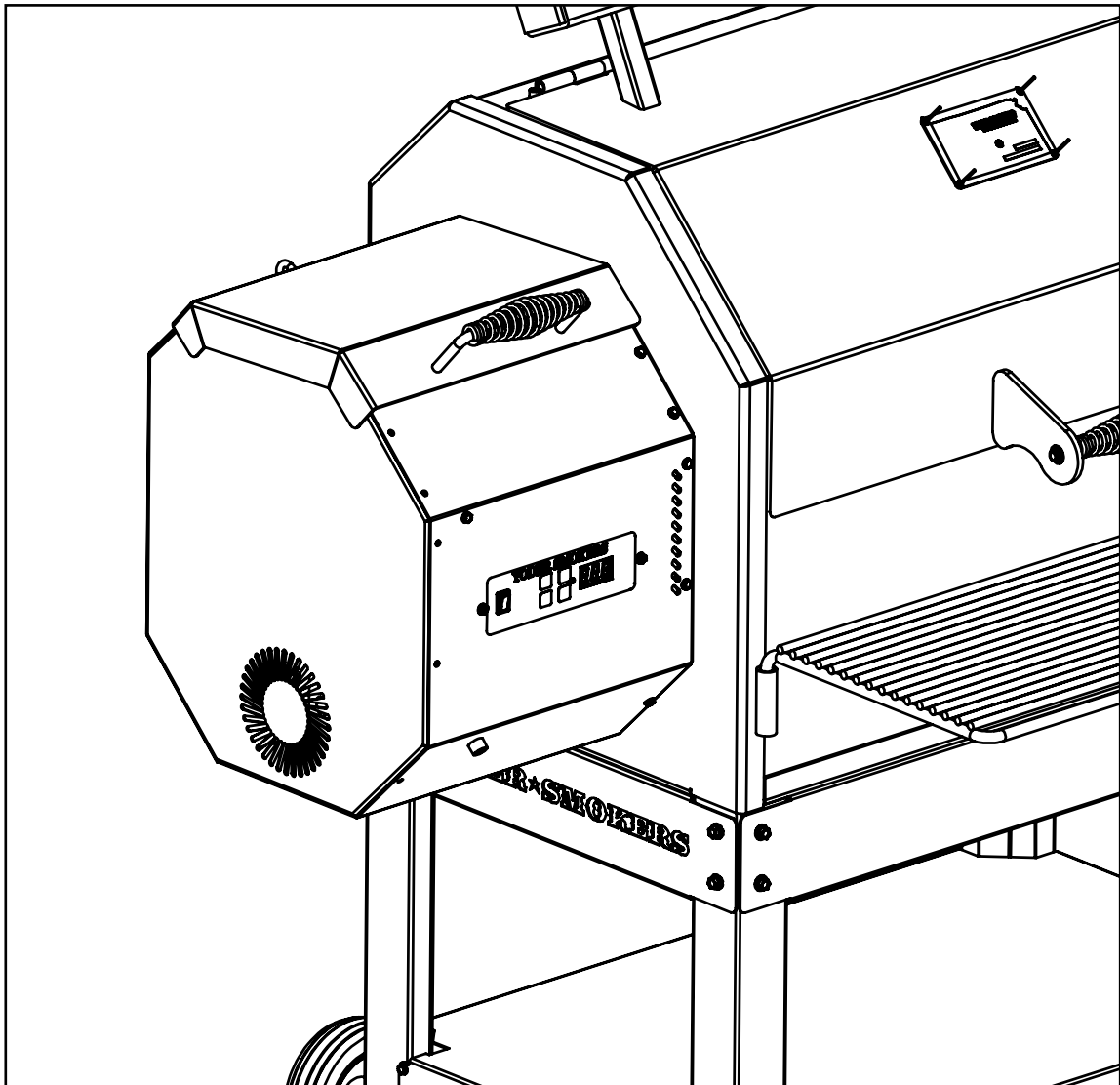


## Pellet Smoker

### PROCEDURE TO FIX BOLT ON AUGER MOTOR



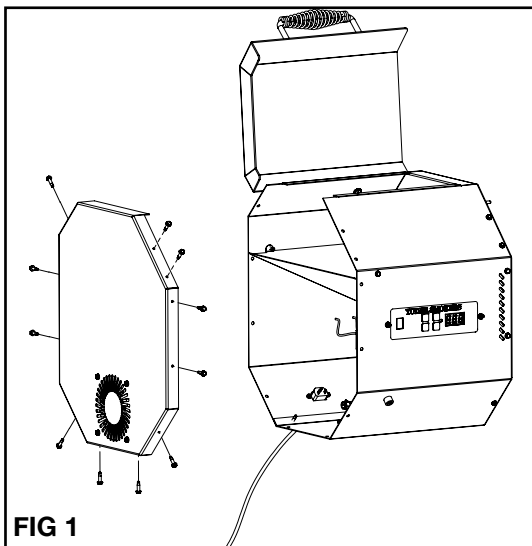
# Procedure To Fix Bolt on Auger Motor:

**! CAUTION: BEFORE BEGINNING THIS PROCEDURE, INSURE THAT THE POWER CORD TO THE SMOKER IS DISCONNECTED! FAILURE TO DO SO MAY RESULT IN BODILY INJURY.**

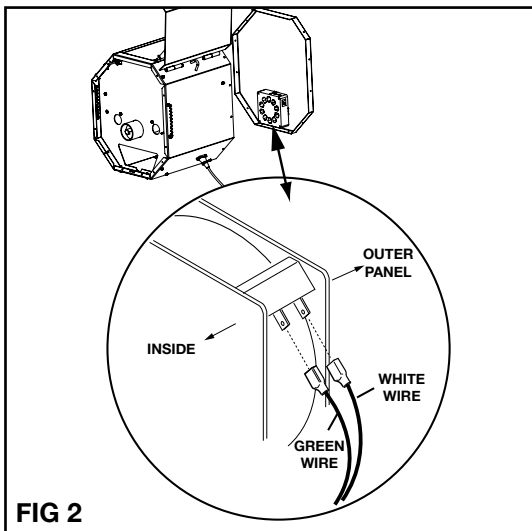
## TOOLS REQUIRED

1. 5/16" Socket
2. 3/16" Allen Wrench
3. 5/32" Allen Wrench

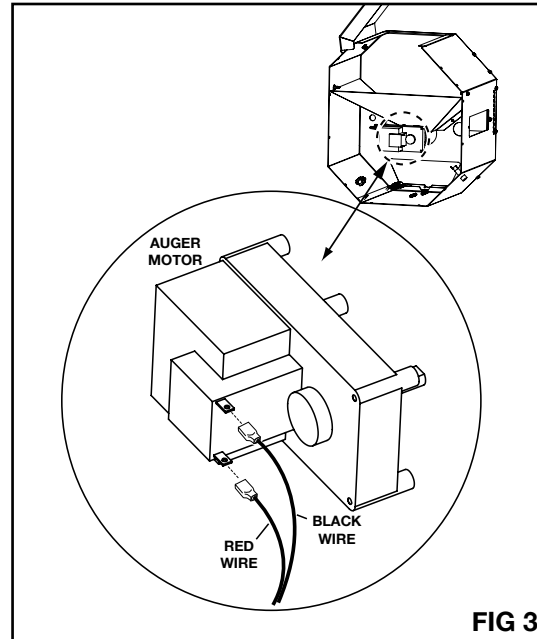
1. On hopper end cap, take a 5/16" socket or nut driver and remove eleven 10x34 self-tapping screws securing the hopper end panel. Remove hopper end cap by pulling.



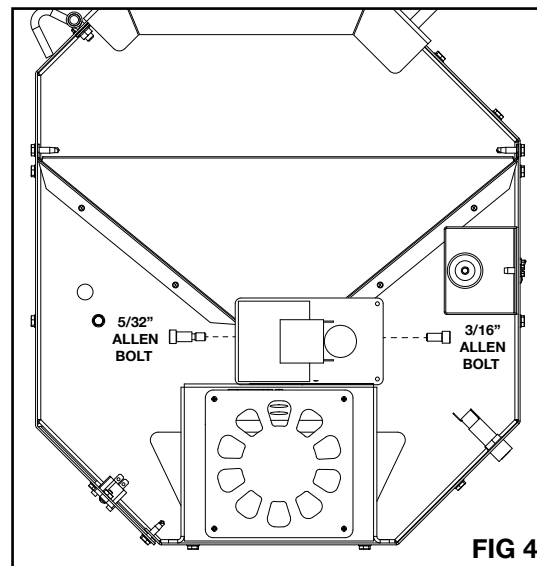
2. Disconnect the two wires (one green, one white) from the fans. (Make a note of which fan terminal gets green, and which gets white).



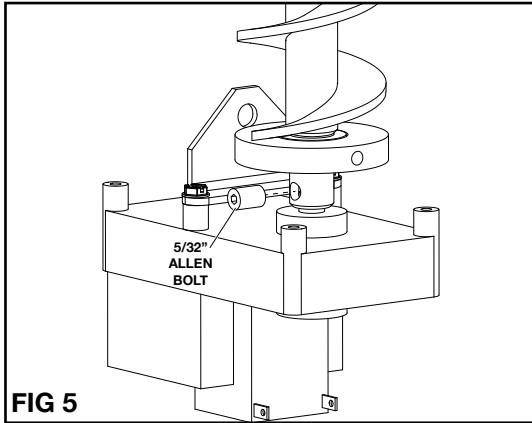
3. Unplug wiring at spade connector ends on auger motor.



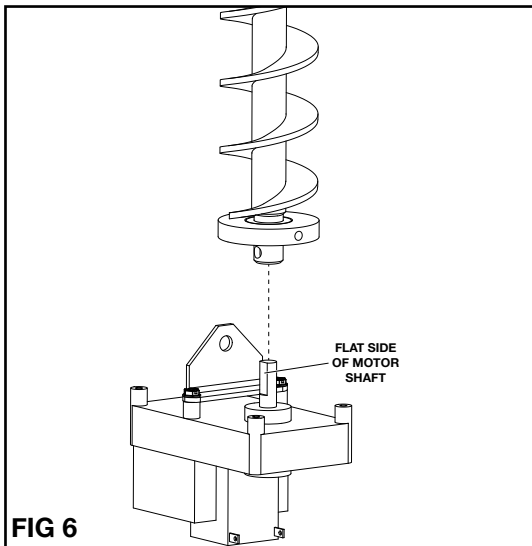
4. Unscrew the 3/16" and 5/32" allen screws on each side of the auger motor that connect it to the pellet shield.



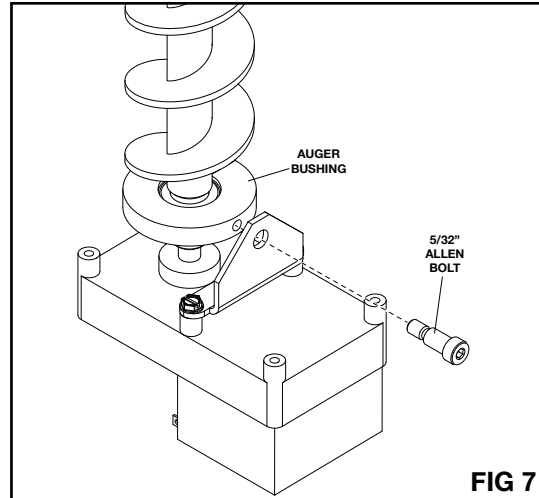
5. Pull the auger motor out of the hopper to expose the 5/32" allen screw that connects the auger motor to the auger. Remove the screw so you can see the motor shaft on the back of the motor.



6. The motor shaft has a flat side to it. The 5/32" allen bolt needs to be screwed onto the flat side of the auger shaft. Place the auger onto the motor shaft and line up the hole so you can tighten the bolt onto the flat part of the motor shaft. **DO NOT** tighten the bolt until you complete the next step.



7. You need to set the proper height of the auger onto the auger motor by screwing in the 5/32" allen bolt into the auger bushing. See **FIG 7**. Once you have set the height then you can tighten the allen bolt from step 6.



8. After the bolt is tightened onto the flat side of the motor shaft, you must remove the bolt that you used to adjust the height of the auger in **FIG 7**. If you do not remove this bolt you will not be able to reinstall the motor back into the hopper.
9. Place the assembly back into the opening in the pellet shield and screw the two bolts back into the auger. See **FIG 4**.
10. Reconnect the wires on the auger motor. See **FIG 3**.
11. Reconnect the wires back to the outer fan. See **FIG 2**.
12. Reassemble hopper end panel using 10x34 self tapping screws. See **FIG 1**.

**END OF PROCEDURE**







