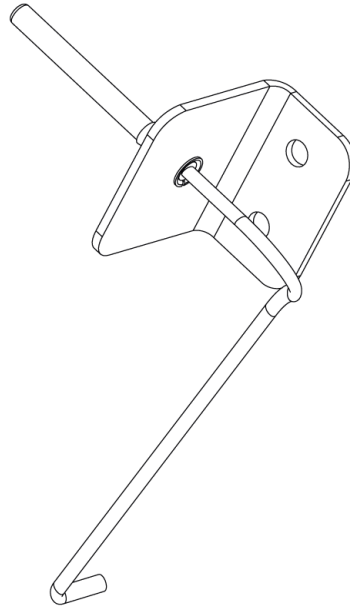


# ★ YODER SMOKERS ★

PREMIUM GRILLS & SMOKERS

## SHORT THERMOCOUPLE REPLACEMENT

YS640/YS480 LEGACY INSTALLATION INSTRUCTIONS



### TOOLS YOU'LL NEED

5/16" Socket | Small Flathead Screwdriver



**UNPLUG**  
POWER CORD



**REMOVE**  
COOKING GRATES



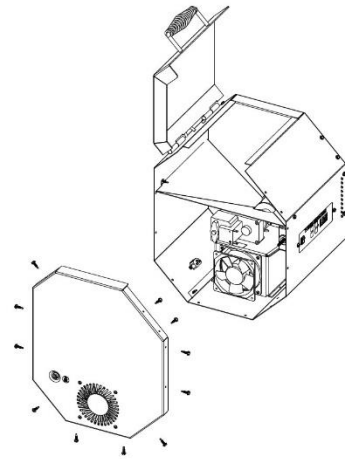
**REMOVE**  
HEAT DIFFUSER



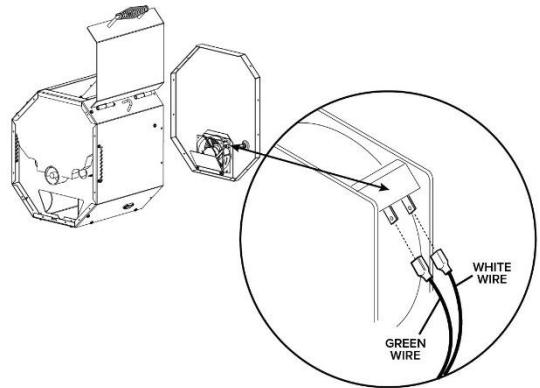
**CAUTION:** BEFORE BEGINNING THIS PROCEDURE, ENSURE THAT THE POWER CORD TO THE SMOKER IS DISCONNECTED! FAILING TO DO SO MAY RESULT IN BODILY INJURY.

**COMPETITION CART MODELS REQUIRE UNPLUGGING THE POWER CORD FROM THE HOPPER LOCATED UNDER THE CART.**

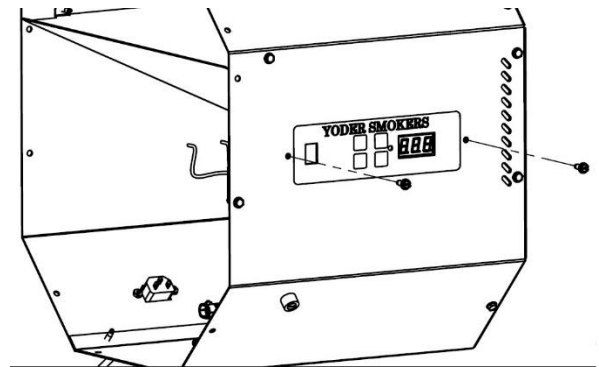
1. On existing hopper, take a 5/16" socket or nut driver and remove eleven 10x34 self-tapping screws securing the hopper end panel, then pull off the panel.



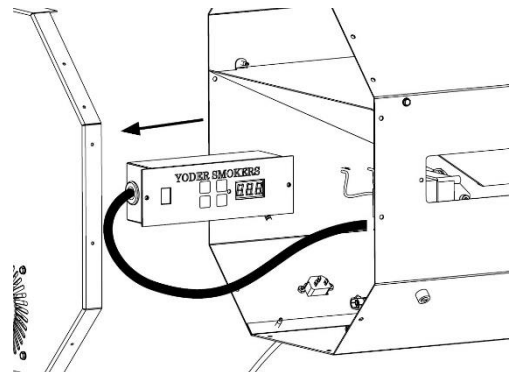
2. Disconnect two wires (one green, one white) from the fan. (Make a note of which fan terminal gets green, and which gets white). **On competition cart models, disconnect the two purple wires from the fuse holder.**



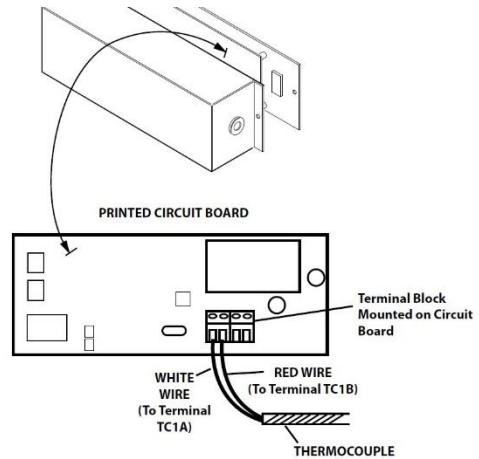
3. Using a 5/16" socket, remove two 1024x12 controller bolts that secure the control box to the hopper.



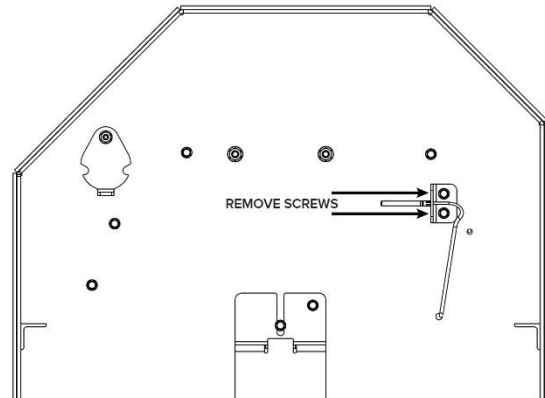
4. Pull out control box and spread it open to gain access to the wiring on the back side of the green circuit board.



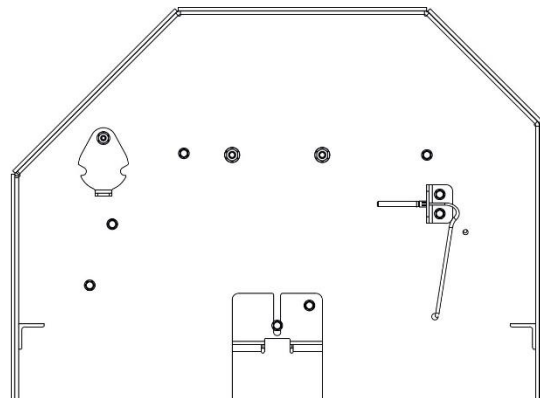
5. Disconnect two thermocouple wires (white and red) on the green circuit board using a small blade screwdriver. Pull these wires out of the control box.



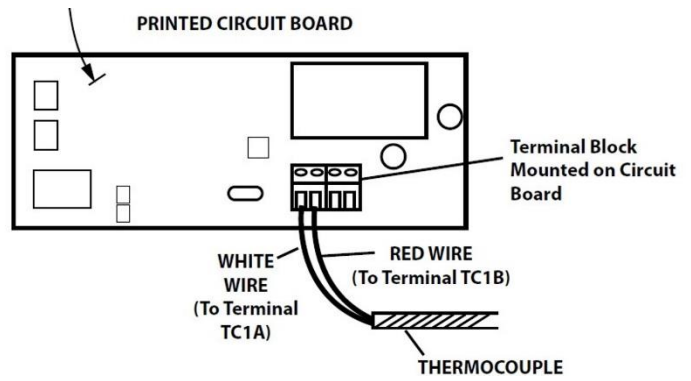
6. Remove thermocouple mounting bracket by unscrewing the two 10x34 screws using the 5/16" socket. Save these screws for installation of the new thermocouple. Gently pull thermocouple wires out of hopper through the hole in the chamber.



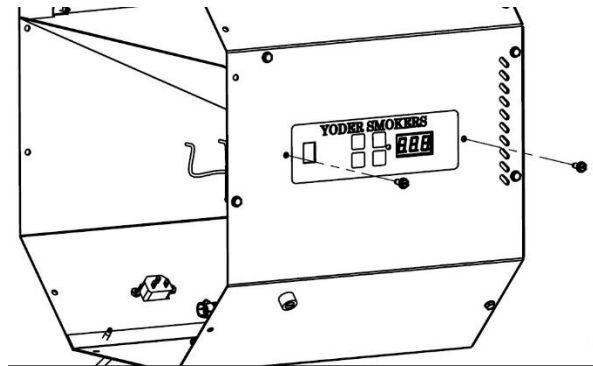
7. Secure new thermocouple mounting bracket using the two 10x34 screws. Then feed thermocouple wire back through hole into hopper.



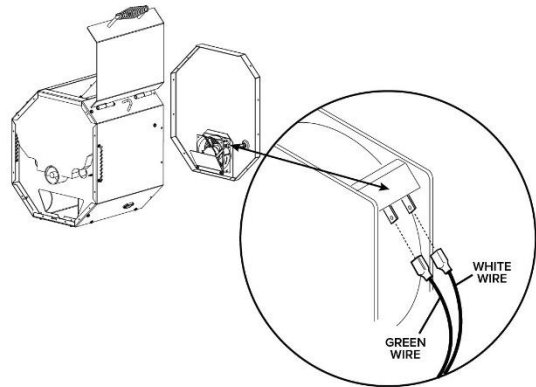
8. Route the thermocouple wires through the grommet of the control box and re-attach to the black terminal block on the green circuit board (**white wire to terminal TC1A; red wire to terminal TC1B**).



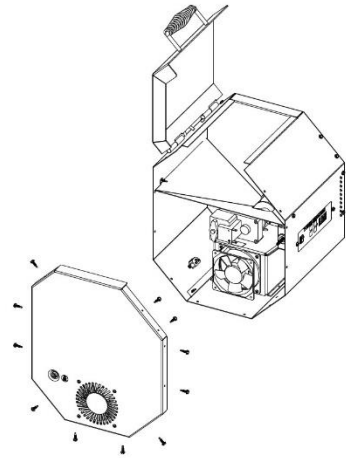
9. Re-Install control box into front of pellet hopper using two screws.



10. Reconnect the green and white wires to the outer fan (and purple wires to the fuse holder, if removed)



11. Re-install hopper end panel using the 11 screws.



---

**THIS COMPLETES THE  
HARDWARE INSTALL**



**FOR PRODUCT SUPPORT:**

877.409.6337 (Ext. 2)

[customerservice@yodersmokers.com](mailto:customerservice@yodersmokers.com)

**[WWW.YODERSMOKERS.COM](http://WWW.YODERSMOKERS.COM)**