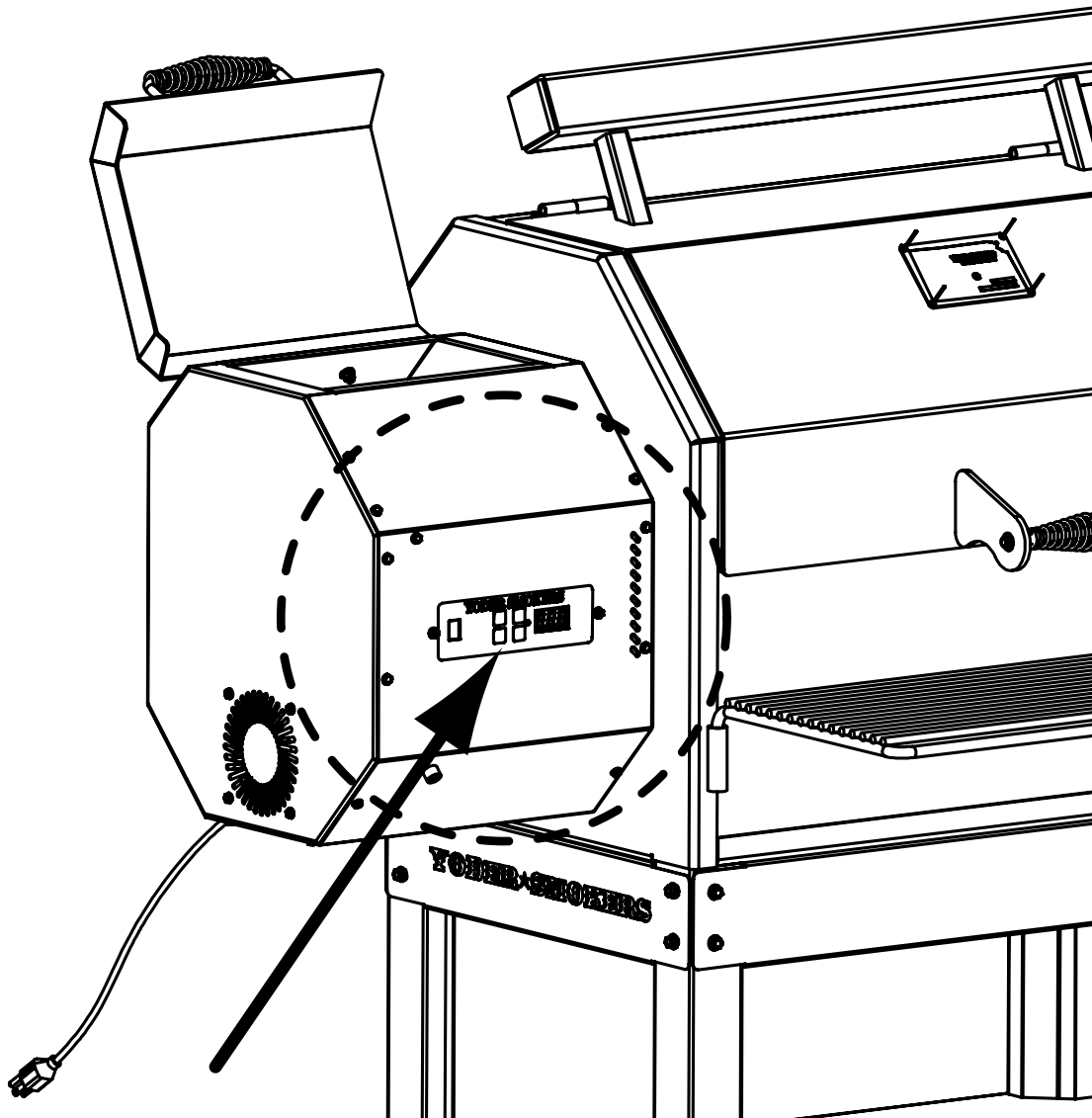


YODER ★ SMOKERS

A91103
Pellet Smoker

PROCEDURE TO REPLACE THE CONTROL BOARD

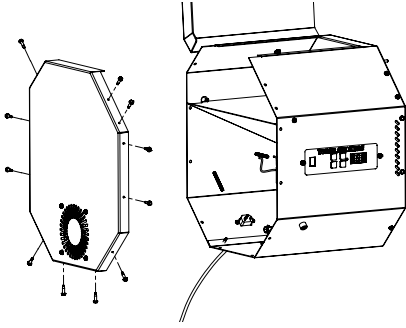


VERSION II - APR, 2013

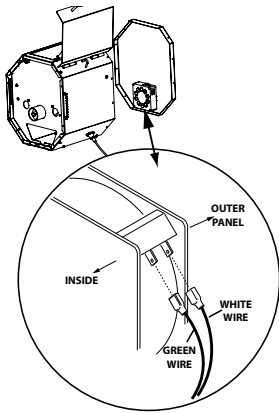
Procedure for replacing pellet smoker control box

!CAUTION: BEFORE BEGINNING THIS PROCEDURE, INSURE THAT THE POWER CORD IS DISCONNECTED! FAILING TO DO SO MAY RESULT IN BODILY INJURY.

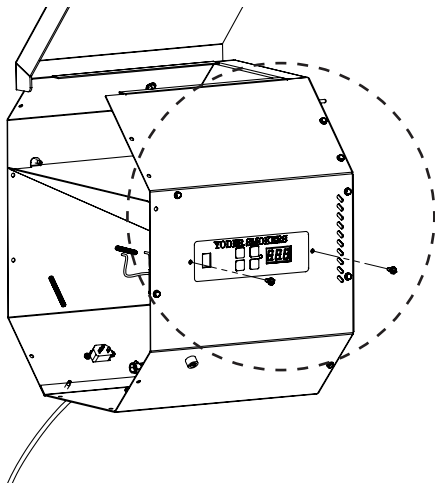
1. Remove eleven screws securing the hopper end (fan) panel, then pull out panel.



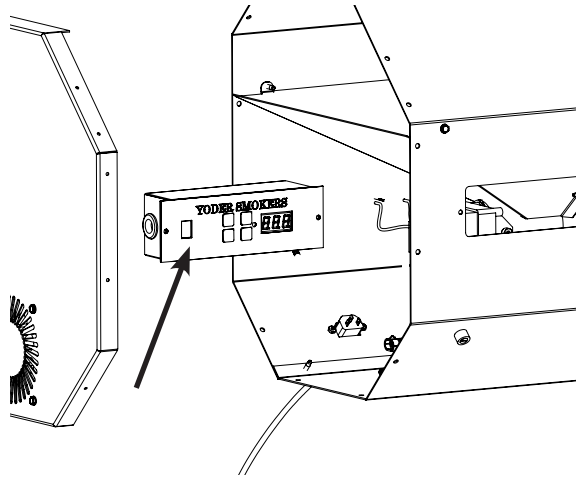
2. Disconnect two wires (one green, one white) from the fan.



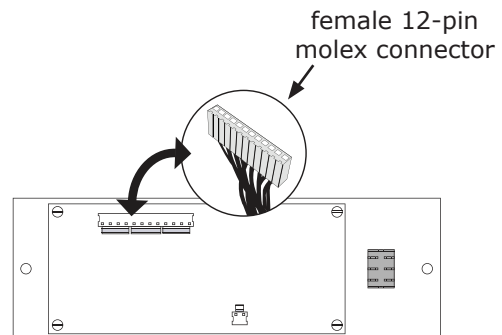
3. Remove two front panel screws



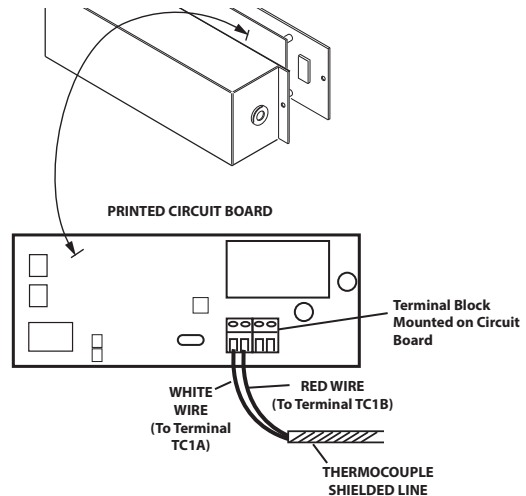
4. Pull out control panel and box.



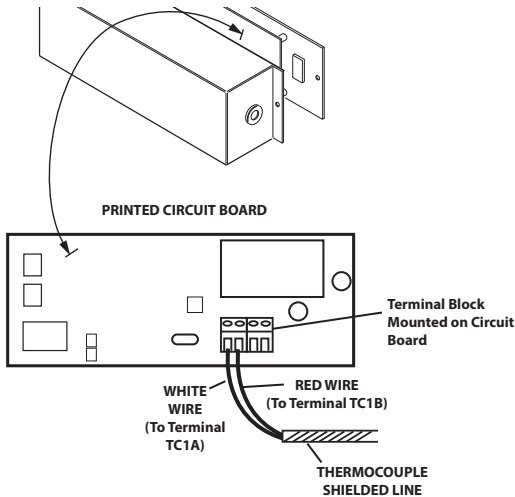
5. Locate the 12-pin Molex connector at the bottom of the board. Carefully unplug the connector from the board. Locate the grey power switch wires near the top of the board. Carefully unplug the two wire spade connectors.



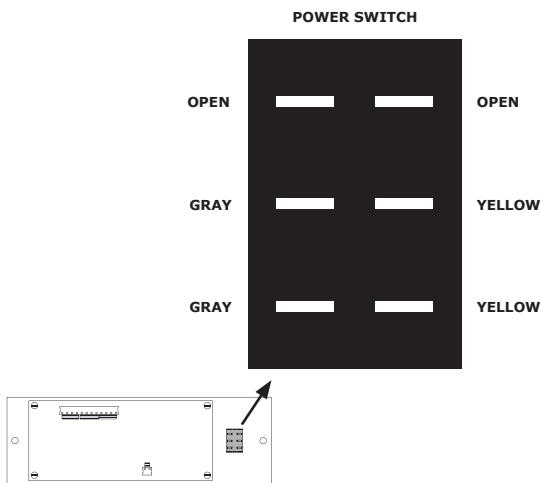
6. Disconnect two thermocouple wires on the green circuit board using a small blade screwdriver. Set the old board aside.



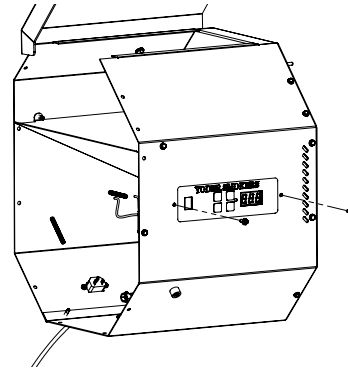
7. Route the thermocouple wires through the grommet of the control box and re-attach to the black terminal block on the green circuit board (white wire to terminal TC1A; Red wire to terminal TC1B).



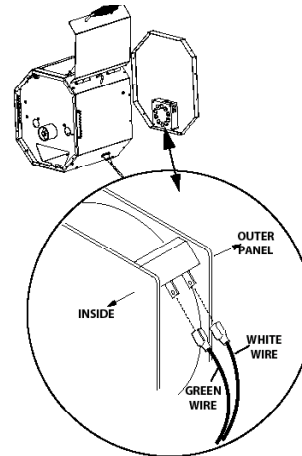
8. Plug the 12-pin connector into the new board. Pay attention the direction that the Molex connector is plugged in. The connector has a barbed side. The 12-pin Molex connector installs with the barb side of the connector oriented towards the bottom of the board. The gray power wires plug directly to the switch opposite of the yellow wires in any order.



9. Install control box into the front of the pellet hopper using 2 screws.



10. Reconnect wiring spade terminal to the fan.



11. Reassemble hopper end panel using eleven 10x34 self-tapping screws.

