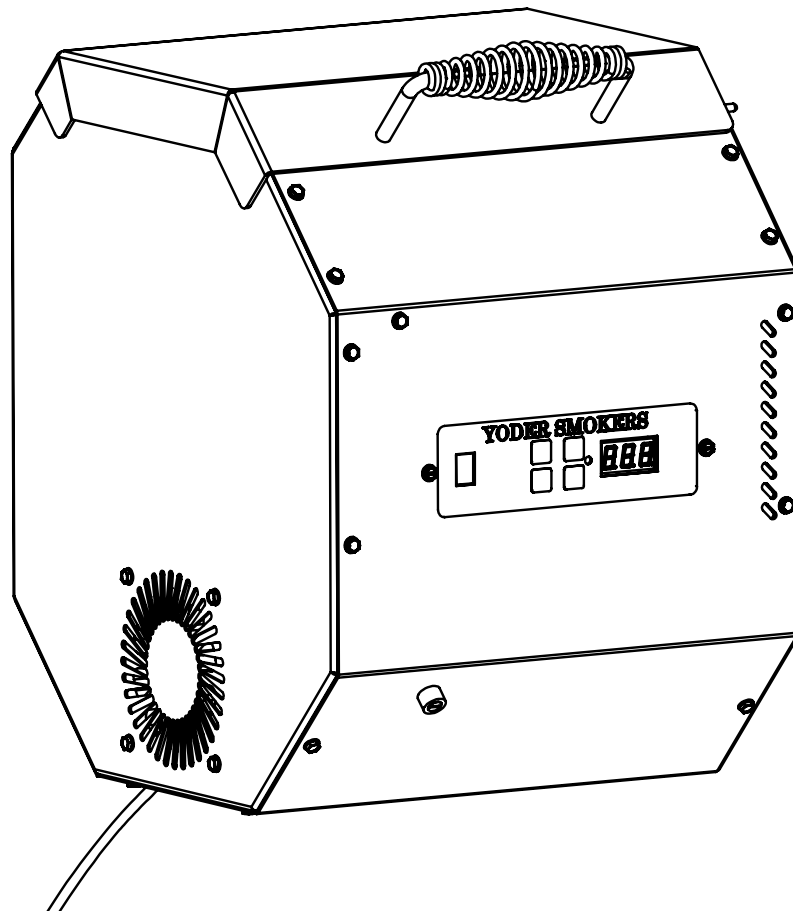


YODER ★ SMOKERS

A90673

Pellet Smoker

PROCEDURE FOR ADDING A SECOND

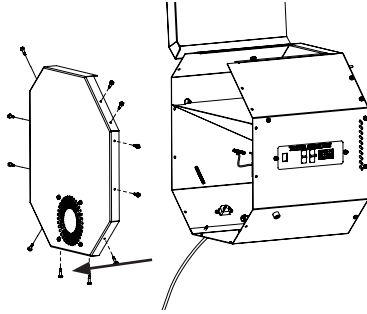


VERSION I - FEB, 2012

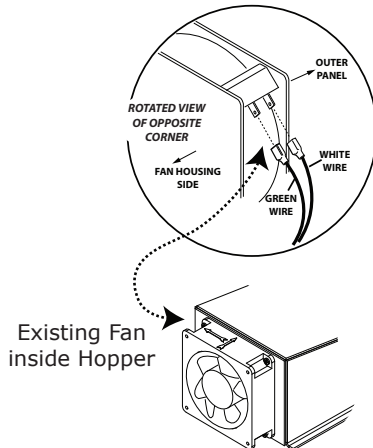
Procedure for Installation of Second Fan into the Hopper Assembly

! CAUTION: BEFORE BEGINNING THIS PROCEDURE, INSURE THAT THE POWER CORD TO THE SMOKER IS DISCONNECTED! FAILING TO DO SO MAY RESULT IN BODILY INJURY.

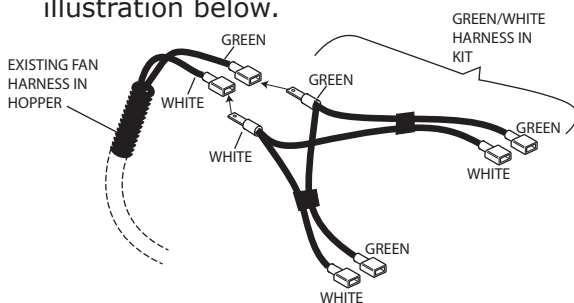
1. Remove eleven screws securing the hopper end panel, then pull out panel.



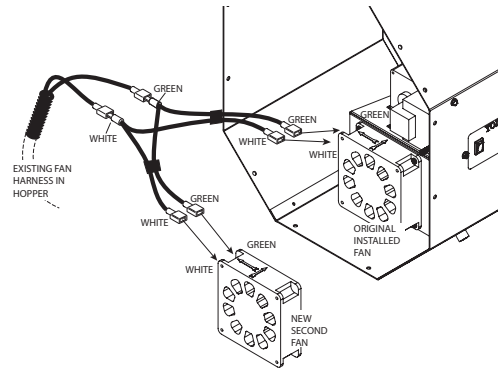
2. Inside the Hopper, disconnect two wires (one green, one white) from the existing fan (make a note of which fan terminal gets green, and which gets white).



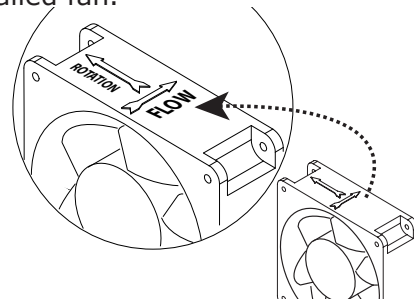
3. Connect the wiring harness furnished with this installation kit to the existing fan wiring harness, as shown in illustration below.



4. Connect one of the harness green/white terminal pairs to the original hopper fan (remember to match the wire color to the same color fan terminal). Connect the other green/white harness terminal pair to the new "second" fan included with this installation kit.



5. Important: on the top of both fans are directional arrows indicating the correct orientation for the fans. Make sure that the new second fan matches the orientation (In flow direction and fan rotation) as the originally installed fan.



6. Install the new second fan to the hopper end panel using 4 screws furnished with this kit: #10 x 3/4" Hex Head Self-Drilling Screws (qty 4). Then re-secure the end panel with eleven screws.

