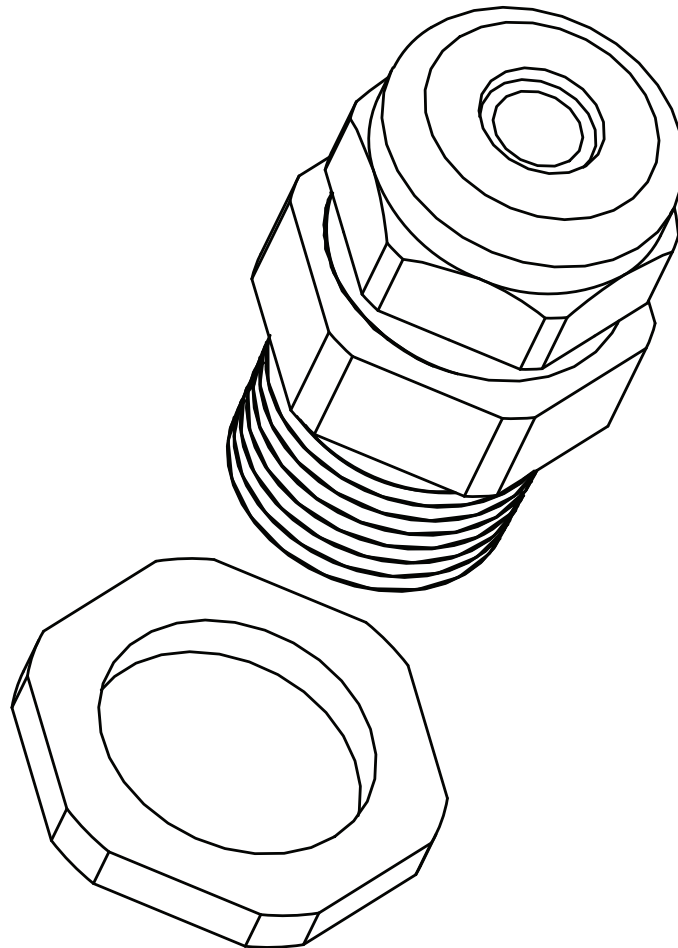


23988

PROCEDURE FOR INSTALLATION OF PROBE PORT FOR
ALL PELLET AND OFFSET SMOKERS



Install Probe Port as follows:

TOOLS REQUIRED:

1. Tape Measure
2. Pencil
3. 1/4" Drill Bit
4. 3/4" Drill Bit
5. 27/32" Drill Bit
6. Drill
7. Crescent Wrench

PARTS REQUIRED:

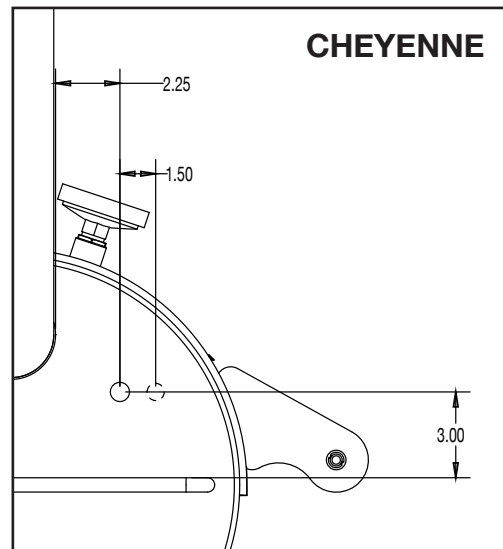
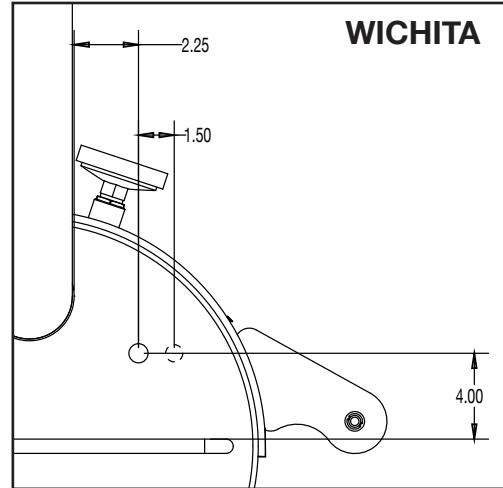
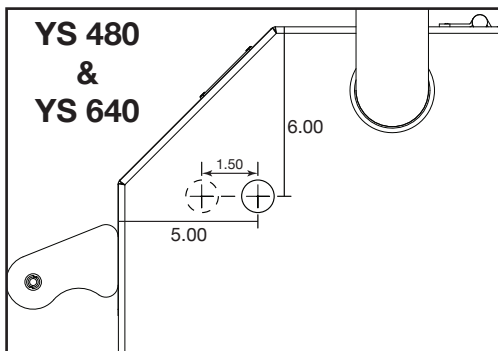
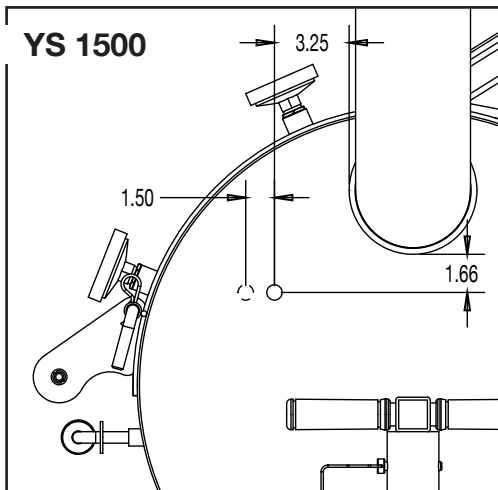
1. Part No. 23988 Probe Port

PREPARATION OF THE SMOKER UNIT:

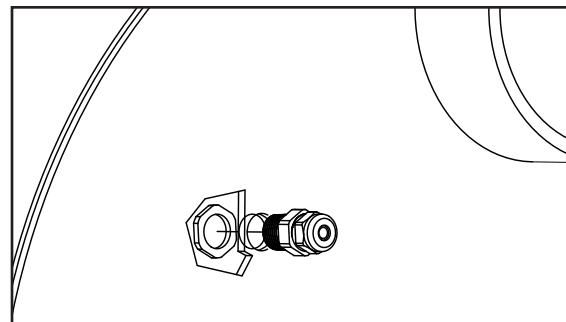
1. Measure and mark location of hole on the side of the body with the smoke stack.

Place some painters tape where the hole is to be drilled to protect the surface from scratches. Then re-measure the location for the hole and remove the tape when finished drilling.

Note: Select your model below. If installing one port, use the location closest to the smoke stack. If Two, use both.



2. We recommend drilling a 1/4" pilot hole, then drill the hole with the 3/4" bit, and finish with the 27/32" bit.
3. Insert probe port into the hole. Secure the probe port with stainless steel hex nut using a crescent wrench. See Below.



END OF PROCEDURE